



Excellent Integrated System Limited

Stocking Distributor

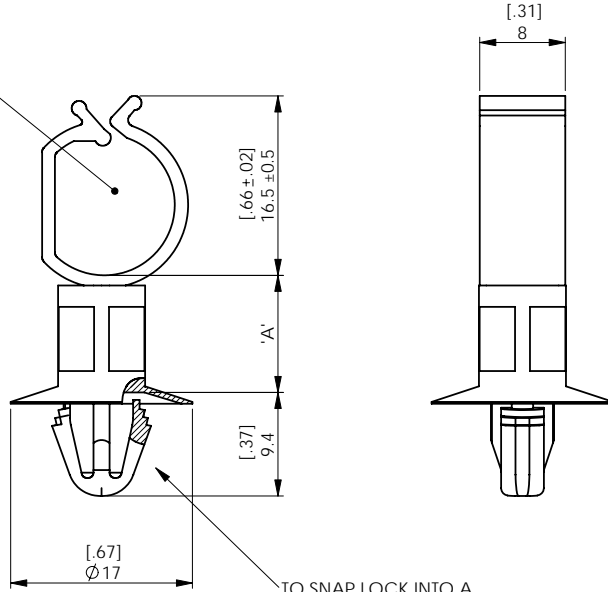
Click to view price, real time Inventory, Delivery & Lifecycle Information:

[Essentra Components \(formerly Richco, Inc.\)](#)
[SCCA-1-01](#)

For any questions, you can email us directly:
sales@integrated-circuit.com

REV.	MODIFICATION.	DATE	DRN
01	PRODUCTION RELEASE	10/07/08	OW
02	CO2010450	22/10/08	TC
03	CO2010464	22/10/08	TC

MAX CABLE BUNDLE Ø11 [.43]



TO SNAP LOCK INTO A Ø6.5 - 7 [.256 - .276] HOLE, INTO A 0.6 - 2 [.024 - .079] THICK PANEL.

NOTES:

- 1) PARTS AVAILABLE IN NYLON 4/6 HEAT STABILISED MATERIAL (RMS-109) BY SPECIAL ORDER.
- 2) PARTS AVAILABLE IN COLOUR BLACK BY SPECIAL ORDER, ADD 'BK' TO THE END OF THE PART NUMBER. E.G. SCCA-1-19BK.

NYLON 6/6 UL94 V0 (RMS-19)	NYLON 6/6 UL94 V2 (RMS-01)	'A'
SCCA-5-19	SCCA-5-01	12 [.47]
SCCA-4-19	SCCA-4-01	10 [.39]
SCCA-3-19	SCCA-3-01	8 [.32]
SCCA-2-19	SCCA-2-01	6 [.24]
SCCA-1-19	SCCA-1-01	4 [.16]

INFORMATION CONTAINED IN THIS DOCUMENT IS CONFIDENTIAL TO RICHCO INTERNATIONAL Co. Ltd. AND MAY NOT BE DISCLOSED OR REPRODUCED IN WHOLE OR PART WITHOUT THEIR WRITTEN CONSENT.

Richco

METRIC PRIMARY UNITS:mm
 IMPERIAL SECONDARY UNITS:[inches]
 GENERAL TOLERANCES ±0.25 [0.010]
 UNLESS OTHERWISE STATED
 1 DECIMAL PLACE ±
 2 DECIMAL PLACES ±
 ANGULAR ±1°

THIRD ANGLE

MATERIAL: SEE TABLE		COLOUR: NATURAL	
DESCRIPTION: STANDOFF CABLE CLIP		PART No: SEE TABLE	
DRG No: 08-060	NPR No: 2007-435	Mass:(g) N/A	SHEET SIZE A4
DRN OW	DATE 03/12/07	CHKD SF	DATE 03/12/07
SCALE NTS		SHEET No. 1 OF 1	

FORM No. 0145/02