



## Excellent Integrated System Limited

Stocking Distributor

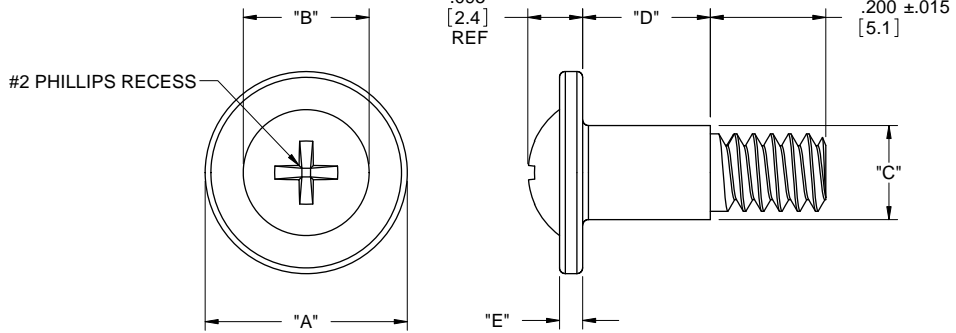
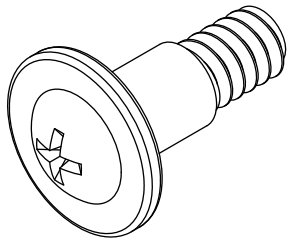
Click to view price, real time Inventory, Delivery & Lifecycle Information:

[Essentra Components \(formerly Richco, Inc.\)](#)

[VG-5](#)

For any questions, you can email us directly:

[sales@integrated-circuit.com](mailto:sales@integrated-circuit.com)



PART NUMBER	USE WITH GROMMET NUMBER	DIMENSION "A" ±.010	DIMENSION "B" REF	DIMENSION "C" ±.004	DIMENSION "D" ±.005	DIMENSION "E" ±.005	THREAD TYPE
VGS-1	VG-1, VG-3	.350 [8.9]	.218 [5.5]	.163 [4.1]	.205 [5.2]	.050 [1.3]	6-32 UNC-2A
VGS-2	VG-2, VG-4	.500 [12.7]	.320 [8.1]	.194 [4.9]	.290 [7.4]	.040 [1]	
VGS-3	VG-5	.350 [8.9]	.218 [5.5]	.146 [3.7]	.195 [5]	.050 [1.3]	
VGS-4	VG-1, VG-3	.350 [8.9]	.218 [5.5]	.163 [4.1]	.205 [5.2]	.050 [1.3]	M3 X 0.5
VGS-5	VG-2, VG-4	.500 [12.7]	.320 [8.1]	.194 [4.9]	.290 [7.4]	.040 [1]	
VGS-6	VG-5	.350 [8.9]	.218 [5.5]	.146 [3.7]	.195 [5]	.050 [1.3]	

NOTES:

1. MATERIAL: 1022 CARBON STEEL (RMS-352)
2. FINISH: ZINC PLATE WITH CLEAR DICHROMATE (RMS-354)
3. ALTERNATE UNITS ARE FOR REFERENCE ONLY.

C	SEE CO 200333	SK	03/04/09
B	SEE CO 200044	SK	10/02/07
A	RELEASED FOR PRODUCTION	SK	03/20/07
REV.	DESCRIPTION	ENGR.	DATE

TITLE: <b>VIBRATION GROMMET SCREW</b>					DWG IN IN [MM]	
CREATED USING SOLIDWORKS	FILE #: VGS	DWN: R.D.G.	APP: R.D.G.	FINAL		
TOLERANCES UNLESS NOTED XX±.010 XXX±.005 FRACTION±1/64 ANG±1°	SHEET: 1 OF 1	SHEET SIZE: A	DT: 01/19/05	CHKD: S.J.	PART #	PRINT TYPE
RE: RICHCO, INC.	RICHCO, INC. ENG@RICHCO-INC.COM (773) 539-4060		SEE TABLE		CA	