

Excellent Integrated System Limited

Stocking Distributor

Click to view price, real time Inventory, Delivery & Lifecycle Information:

[American Electrical, Inc.](#)
[TS3575SL](#)

For any questions, you can email us directly:

sales@integrated-circuit.com



American Electrical, Inc.

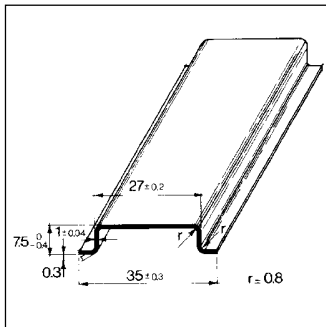
Industrial Electrical Accessories

425 Southlake Blvd. • Suite 9-B • Richmond, VA 23236 • (804) 379-2899 • Fax: (804) 379-8935

DIN Rail

- Steel design
- White zinc plating
- 2 meter length
- Standard packs of 20
- Competitive Pricing
- Industry standard Materials
- CE approved
- 6 types available
- No Markings on Rail

35 mm X 7.5 mm
Solid
Standard Pack: 20

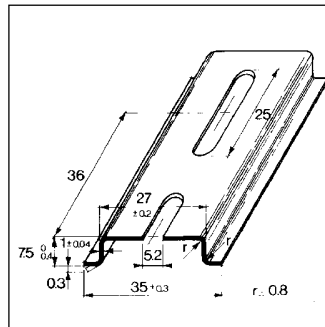


TS3575SOL



* Other Lengths Available

35 mm X 7.5 mm
Slotted
Standard Pack: 20

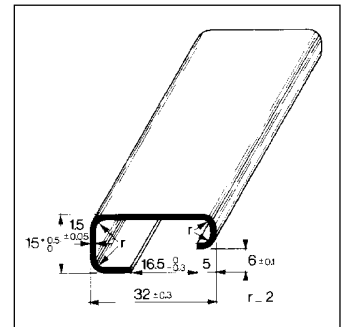


TS3575SL

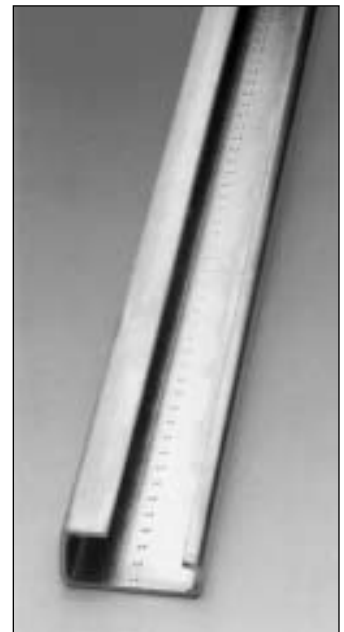


* Other Lengths Available

32 mm X 15 mm
Solid
Standard Pack: 20



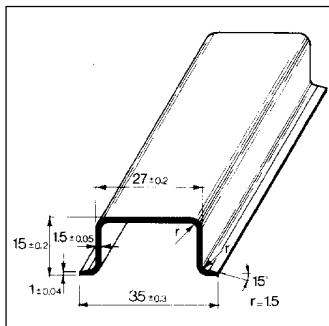
TS32SOL



* Other Lengths Available

DIN Rail

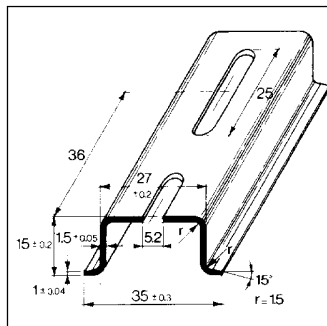
35 mm X 15 mm
 Solid
 Standard Pack: 20



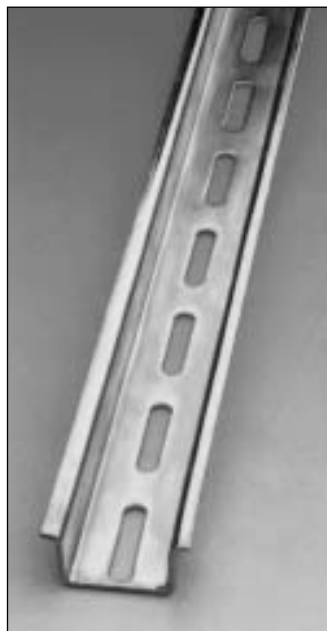
TS3515SOL



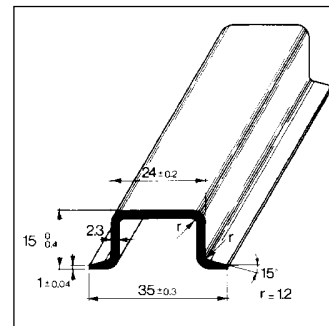
35 mm X 15 mm
 Slotted
 Standard Pack: 20



TS3515SL



35 mm X 15 mm
 Solid "Heavy"
 Standard Pack: 20



TS3515SOLH



DIN Rail Cross Reference List

American Electrical	TS3575SL*	TS3575SOL*	TS3515SL	TS3515SOL	TS32SOL	TS3515SOLH
Entrel ec	173220.05	174300.17	101598.26	168700.22	163050.04	168500.12
Phoenix Contact	801733	801681	1201730	1201714	1201015	--
Wago	210-112	210-113	210-197	210-114	--	210-118
Weidmull er	51450	38340	23650	23640	12280	49800
Wiel and	98.300.1000.0	98.300.0000.0	98.370.1000.0	98.370.0000.0	98.190.0000.0	--

Other rail types availabl e upon request.

* Other Lengths Availabl e