

## Excellent Integrated System Limited

Stocking Distributor

Click to view price, real time Inventory, Delivery & Lifecycle Information:

[Bel Fuse Inc.](#)  
[24-8645P](#)

For any questions, you can email us directly:  
[sales@integrated-circuit.com](mailto:sales@integrated-circuit.com)

5 4 3 2 1

D



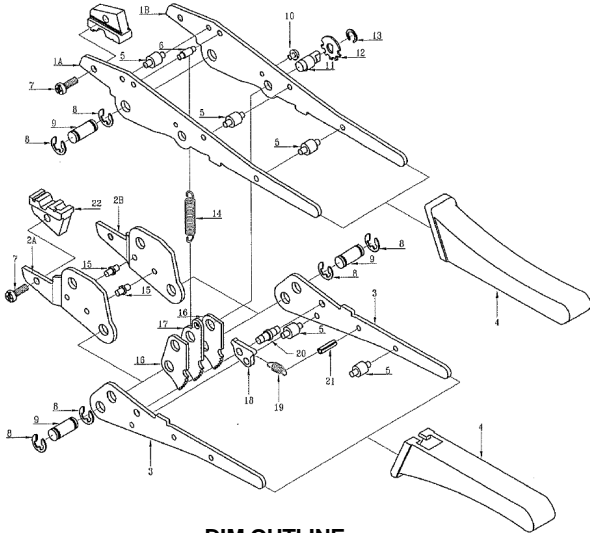
Description: D-Sub Ratchet Crimp tool, 18-22 and 24-30 Gauge  
 Part No: 24-8645P  
 Crimp Tool: N/A  
 Impedance: N/A  
 Frequency Range: N/A  
 RoHS Compliance: N/A  
 Technical Detail: N/A  
 LENGTH: 205MM  
 WEIGHT: 0.39KG

DRAWING NO. 24-8645P-CUST	
<b>REVISIONS</b>	
01	OFFICIAL RELEASE
12-19-12	ECO-12-0335

D

C

C



NO.	DESCRIPTION	CODE	QTY.
1A/H	MAIN FRAME		1
2A/H	LOWER JAW		1
3	LOWER HANDLE		2
4	PLASTIC GRIP		2
5	SPACER		5
6	SPACER		1
7	M4x0.7 SCREW		2
8	CIRCLIP		6
9	PIN		3
10	M3x0.5 SCREW		1
11	ECCENTRIC SHAFT		1
12	ADJUSTING PLATE		1
13	CIRCLIP		1
14	MAIN SPRING		1
15	RIVET		2
16	RATCHET GEAR		2
17	RATCHET GEAR		1
18	RATCHET PAWL		1
19	SPRING		1
20	PIN		1
21	SPRING PIN		1
22	DIE		2

CUSTOMER COPY

B

B

A

A

**DIM OUTLINE**

TOLERANCE UNLESS OTHERWISE SPECIFIED	DRAWN BY GARY.ZHG	DATE 12-19-12
DECIMALS mm	CHECKED BY MONICA.W	DATE 12-19-12
X.XX +0.2	APPROVED BY MA LIN	DATE 12-19-12
X.XXX +0.08		
ANGLES +0.5°	U/M mm	

THIS DRAWING WAS PRODUCED BY COMPUTER. DO NOT SCALE DRAWING OR UPDATE MANUALLY.



TITLE  
D-Sub Ratchet Crimp tool, 18-22 and 24-30 Gauge

SHEET 1 OF 1	DRAWING NO. 24-8645P-CUST	SIZE A
--------------	---------------------------	--------

5 4 3 2 1