

Excellent Integrated System Limited

Stocking Distributor

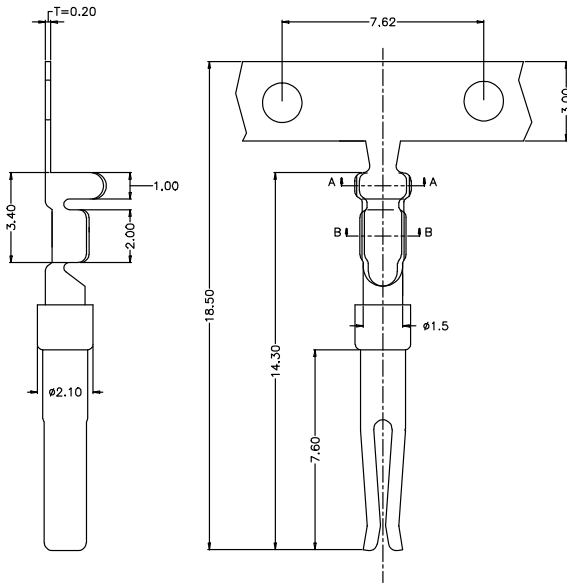
Click to view price, real time Inventory, Delivery & Lifecycle Information:

[Bel Fuse Inc.](#)
[40-9866S](#)

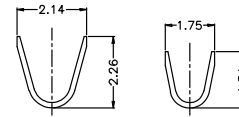
For any questions, you can email us directly:
sales@integrated-circuit.com



DESCRIPTION: STD D-SUB SOCKET CONTACT, CRIMP
 MODEL NUMBER: 40-9864S, 40-9866S, 40-9866SK
 APPLICATION: FOR D-SUB
 CRIMP TOOL: N/A
 IMPEDANCE: N/A
 FREQUENCY RANGE: N/A
 MATERIAL: PHOSPHOR BRONZE GOLD PLATED
 WIRE RANGE: 24-28 AWG
 RoHS COMPLIANCE: YES
 TECHNICAL DETAIL: N/A


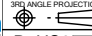


MODEL NUMBER	PACKAGE
40-9864S	25 PCS/BAG
40-9866S	100 PCS/BAG
40-9866SK	5K PCS/BAG



A-A SECTION

B-B SECTION

 <p>This PROPRIETARY Document is property of Cinch Connectivity Solutions. It is confidential and non-transferable, and its use is limited to the specific application for which it was prepared. Reproduction or distribution of this document without permission is strictly prohibited.</p> <p>INTERNET DRAWING IN ACCORDANCE WITH ASME Y14.5-2009</p>		AIM-Cambridge		
	RoHS2 <input checked="" type="checkbox"/> 2011/65/EU	Title:	D-SUB SOCKET CONTACT	
	UNLESS OTHERWISE SPECIFIED: UNITS: METRIC .XX ±.51 .XXX ±.127 ANGLES ±2°	Model No.	40-98(64S)(66S)(66SK)	
	Size A	DO NOT SCALE DRAWING	Date: 12/10/2013	Sheet 1 of 1