

Excellent Integrated System Limited

Stocking Distributor

Click to view price, real time Inventory, Delivery & Lifecycle Information:

[Bel Fuse Inc.](#)
[40-9737H](#)

For any questions, you can email us directly:
sales@integrated-circuit.com

5 4 3 2 1

Description: D-Sub Hood, Plastic, H Series, 37 Pins
 Part No: 40-9737H

DRAWING NO.
40-9737H-CUST

REVISIONS

01	OFFICIAL RELEASE				ECO-12-0335
12-19-12	Z	M	L		

D

D

C

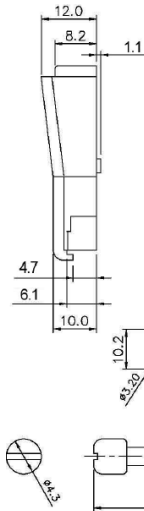
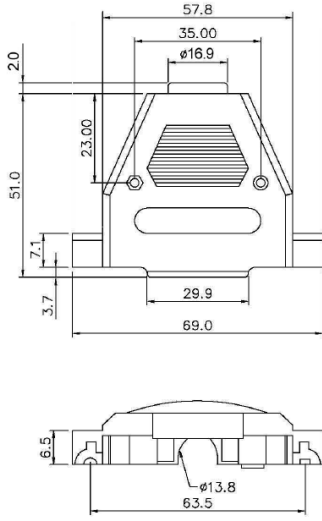
C

B

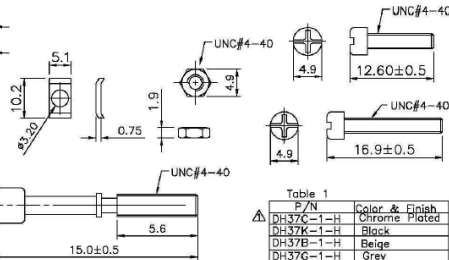
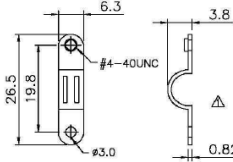
B

A

A



Screw Nut & Clip And Other:steel
 Nickel Plated
 Packing:1 Set/Bag
 RoHS Compliant



P/N	Color & Finish
DH37G-1-H	Chrome Plated
DH37K-1-H	Black
DH37B-1-H	Beige
DH37G-1-H	Grey

DIM OUTLINE

TOLERANCE UNLESS OTHERWISE SPECIFIED	DRAWN BY GARY.ZHG	DATE 12-19-12
DECIMALS mm	CHECKED BY MONICA.W	DATE 12-19-12
X.XX ± 0.2	APPROVED BY MA LIN	DATE 12-19-12
X.XXX ± 0.1		
X.XXX ± 0.08		
ANGLES ± 0.5°	U/M mm	

CUSTOMER COPY



TITLE
D-Sub Hood, Plastic, H Series, 37 Pins

SHEET 1 OF 1	DRAWING NO. 40-9737H-CUST	SIZE A
--------------	---------------------------	--------

5 4 3 2 1

THIS DRAWING WAS PRODUCED BY COMPUTER.
 DO NOT SCALE DRAWING OR UPDATE MANUALLY.