

## Excellent Integrated System Limited

Stocking Distributor

Click to view price, real time Inventory, Delivery & Lifecycle Information:

[Conec](#)  
[33TS3004S-88B](#)

For any questions, you can email us directly:  
[sales@integrated-circuit.com](mailto:sales@integrated-circuit.com)



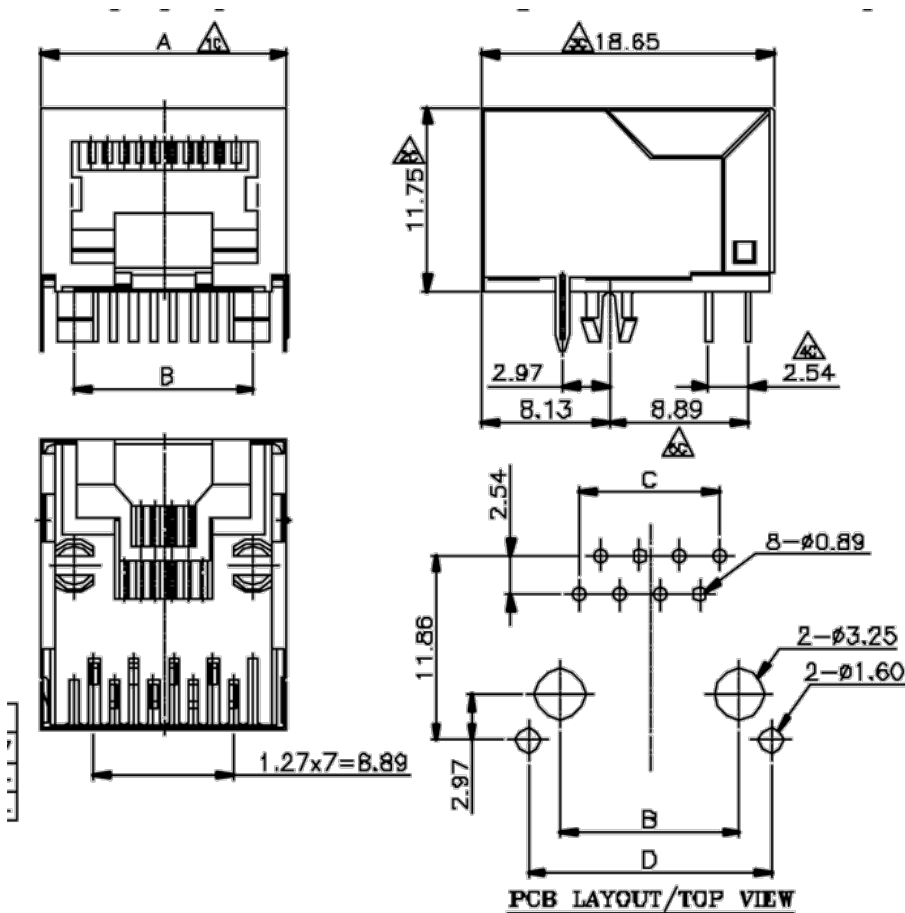
**Very Low Profile PCB Jack(Side Entry,Shielded)**

**Materials**

Housing: PBT+30% glass-fiber UL94V-0 Black  
 Contacts: 0.35mm thickness alloy, gold plating over nickel in contact area  
 Tin Plating over nickel in solder area

Directive 2002/95/EC  
 „RoHS“  
 Compliant

Pin	A	B	C	D
6	13.56	10.16	6.35	13.57
8	15.74	11.43	8.89	15.54
10	15.74	11.43	11.43	15.54



**Order Information**

**33TS3004 S - 88 B**

1 2 3 4

**1. Series No.**  
33TS3004

**2.Contact Type**  
S : Shielded

**3. No. Of Contacts**  
64:6P4C  
66:6P6C  
88:8P8C  
1010:10P10C

**4. Gold Plating**  
B: 6µ"  
For other plating options  
contact factory

**Note:**  
Packed in tray

