

Excellent Integrated System Limited

Stocking Distributor

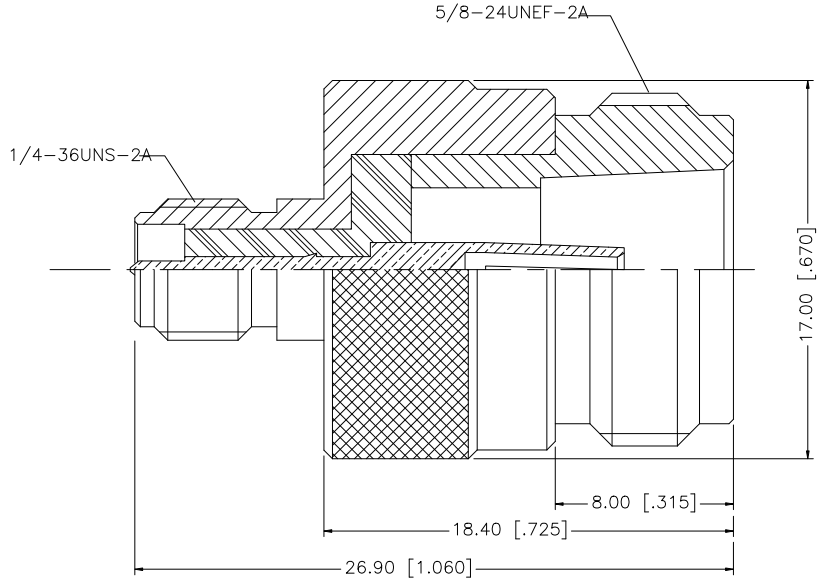
Click to view price, real time Inventory, Delivery & Lifecycle Information:

[Amphenol RF](#)
[242115RP](#)

For any questions, you can email us directly:

sales@integrated-circuit.com

REV.	DATE	DESCRIPTION
NC	09/06/07	INITIAL RELEASE



				APPROVALS	DATE	Amphenol Connex						
8				DRAWN	G.R.S.	09/06/07	PART DESCRIPTION SMA REVERSE POLARITY JACK TO N JACK ADAPTER					
7				CHECKED								
6				ISSUED			PART NO. 242115RP					
5				SHEET	1 OF 1		DWG. NO. 242115RP.DWG					
4				CAD FILE		C:/242/242115RP.DWG	REV.	NC	SIZE	A	SCALE	NA
3	CONTACT PIN	PHOS. BRONZE	GOLD	1								
2	INSULATOR	TEFLON	NATURAL	1								
1	BODY	BRASS	NICKEL	1								
	DESCRIPTION	MATERIAL	FINISH	QTY								

UNLESS OTHERWISE SPECIFIED DIMENSIONS ARE IN MILLIMETERS. DIMENSIONS IN [] ARE IN INCHES AND FOR CUSTOMER REFERENCE ONLY.

UNLESS OTHERWISE SPECIFIED TOLERANCES FOR MILLIMETERS ARE:
 0.5 - 8mm ± 0.20mm
 8 - 30mm ± 0.40mm
 30 - 120mm ± 0.50mm

UNLESS OTHERWISE SPECIFIED TOLERANCES FOR INCHES ARE:
 .020 - .315 = ± 0.007"
 .315 - 1.180 = ± 0.015"
 1.180 - 4.724 = ± 0.020"

DO NOT SCALE DRAWING