

## Excellent Integrated System Limited

Stocking Distributor

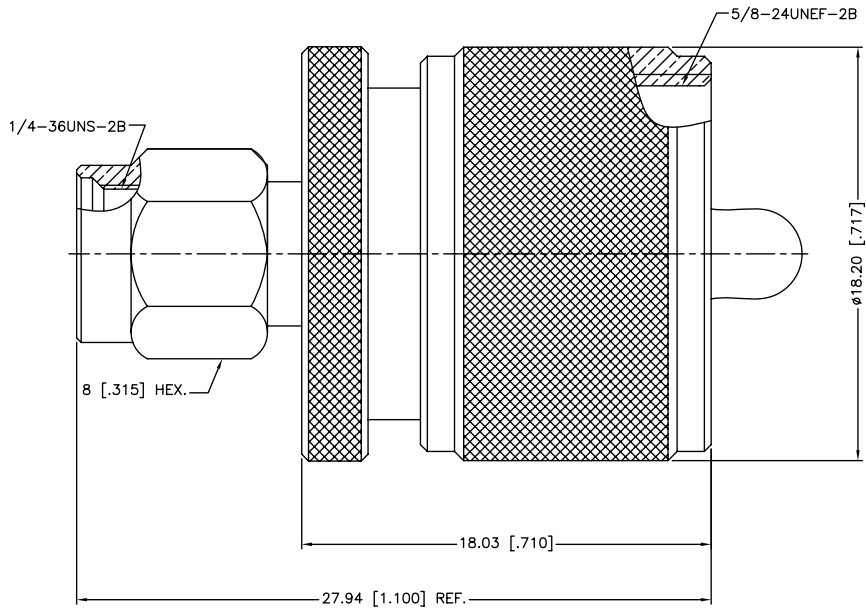
Click to view price, real time Inventory, Delivery & Lifecycle Information:

[Amphenol RF](#)  
[242110](#)

For any questions, you can email us directly:

[sales@integrated-circuit.com](mailto:sales@integrated-circuit.com)

REV.	DATE	ECR NO.	DESCRIPTION
NC	01/08/97	XXXXXX	INITIAL RELEASE
A	11/07/13	2553	UPDATE DRAWING FORMAT



1. IMPEDANCE: 50 OHM
2. FREQUENCY RANGE: 0-200 MHZ
3. VSWR: 1.3 MAX.
4. DIELECTRIC WITHSTANDING VOLTAGE: 1000 VRMS, MIN.
5. DURABILITY: 500 CYCLES MIN.
6. TEMPERATURE RANGE: -65°C TO +165°C

NO.	DESCRIPTION	MATERIAL	FINISH	QTY
10	RETAINER RING	BRASS	NICKEL	1
9	SHELL	BRASS	NICKEL	1
8	INSULATOR	PTFE	NATURAL	1
7	CONTACT PIN	BRASS	GOLD	1
6	CONTACT PIN	BRASS	GOLD	1
5	INSULATOR	PTFE	NATURAL	1
4	GASKET	SILICONE RUBBER	RED	1
3	RETAINER RING	SUS 304	NATURAL	1
2	BODY	BRASS	NICKEL	1
1	SHELL	BRASS	NICKEL	1
	DESCRIPTION	MATERIAL	FINISH	QTY

UNLESS OTHERWISE SPECIFIED DIMENSIONS ARE IN MILLIMETERS; DIMENSIONS IN [ ] ARE IN INCHES AND FOR CUSTOMER REFERENCE ONLY.

UNLESS OTHERWISE SPECIFIED TOLERANCES FOR MILLIMETERS ARE:  
 <0.5 ± 0.05mm  
 0.5 - 6mm ± 0.10mm  
 6 - 30mm ± 0.20mm  
 30 - 120mm ± 0.30mm  
 ANGLES ± 1°

UNLESS OTHERWISE SPECIFIED TOLERANCES FOR INCHES ARE:  
 .020 - .236 ± 0.002"  
 .236 - 1.180 ± 0.004"  
 1.180 - 4.724 ± 0.012"  
 ANGLES ± 1°

DO NOT SCALE DRAWING

APPROVALS		DATE
DRAWN	M.ZHANG	11/07/13
CHECKED		
ISSUED		
SHEET	1 OF 1	

## Amphenol Connex

PART DESCRIPTION  
**SMA MALE TO UHF MALE ADAPTOR**

PART NO.  
**242110**

DWG. NO. 242110.DWG

REV.	A
------	---

SIZE	A
------	---

SCALE	NA
-------	----