

Excellent Integrated System Limited

Stocking Distributor

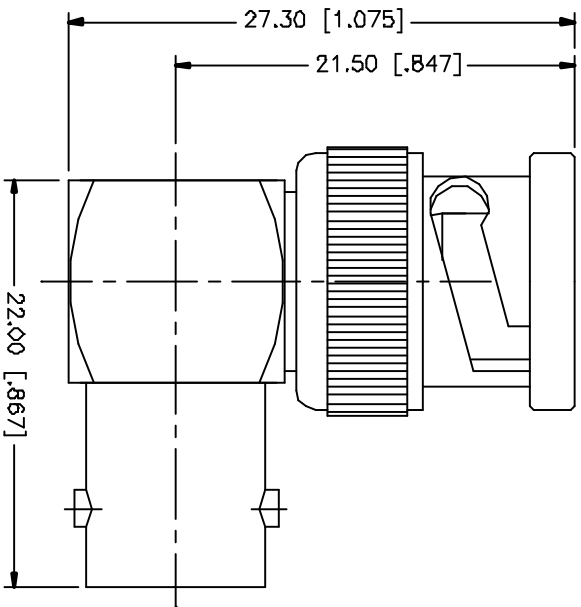
Click to view price, real time Inventory, Delivery & Lifecycle Information:

[Amphenol RF](#)
[112454](#)

For any questions, you can email us directly:

sales@integrated-circuit.com

| REV. | DATE | DESCRIPTION |
|------|----------|-----------------------|
| NC | 10/18/02 | INITIAL RELEASE |
| A | 05/01/04 | UPDATE DRAWING FORMAT |



| QTY | FINISH | MATERIAL | DESCRIPTION |
|-----|---------|--------------|-------------|
| 1 | NICKEL | BRASS | BODY |
| 2 | NATURAL | DELFIN | INSULATOR |
| 1 | GOLD | BRASS | CONTACT PIN |
| 1 | GOLD | PHOS. BRONZE | CONTACT PIN |

| | | |
|---|-----------|----------|
| UNLESS OTHERWISE SPECIFIED DIMENSIONS ARE IN MILLIMETERS DIMENSIONS IN [] ARE IN INCHES AND FOR REFERENCE PURPOSES ONLY. | APPROVALS | DATE |
| UNLESS OTHERWISE SPECIFIED DIMENSIONS ARE IN MILLIMETERS DIMENSIONS IN [] ARE IN INCHES AND FOR REFERENCE PURPOSES ONLY. | G.R.S. | 05/01/04 |
| UNLESS OTHERWISE SPECIFIED DIMENSIONS ARE IN MILLIMETERS DIMENSIONS IN [] ARE IN INCHES AND FOR REFERENCE PURPOSES ONLY. | CHECKED | |
| UNLESS OTHERWISE SPECIFIED DIMENSIONS ARE IN MILLIMETERS DIMENSIONS IN [] ARE IN INCHES AND FOR REFERENCE PURPOSES ONLY. | ISSUED | |
| UNLESS OTHERWISE SPECIFIED DIMENSIONS ARE IN MILLIMETERS DIMENSIONS IN [] ARE IN INCHES AND FOR REFERENCE PURPOSES ONLY. | SHEET | 1 OF 1 |

| | | | | | |
|----------------------|-------------------|------------|------|------|-------|
| DO NOT SCALE DRAWING | CAD FILE | DWG. NO. | REV. | SIZE | SCALE |
| | C:/112/112454.DWG | 112454.DWG | A | A | NA |

| | |
|--------------------------------|--------|
| PART DESCRIPTION | |
| Amphenol Connex | |
| BNC MALE TO FEMALE R/A ADAPTOR | |
| PART NO. | 112454 |