

## **Excellent Integrated System Limited**

Stocking Distributor

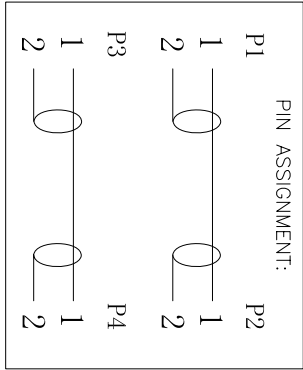
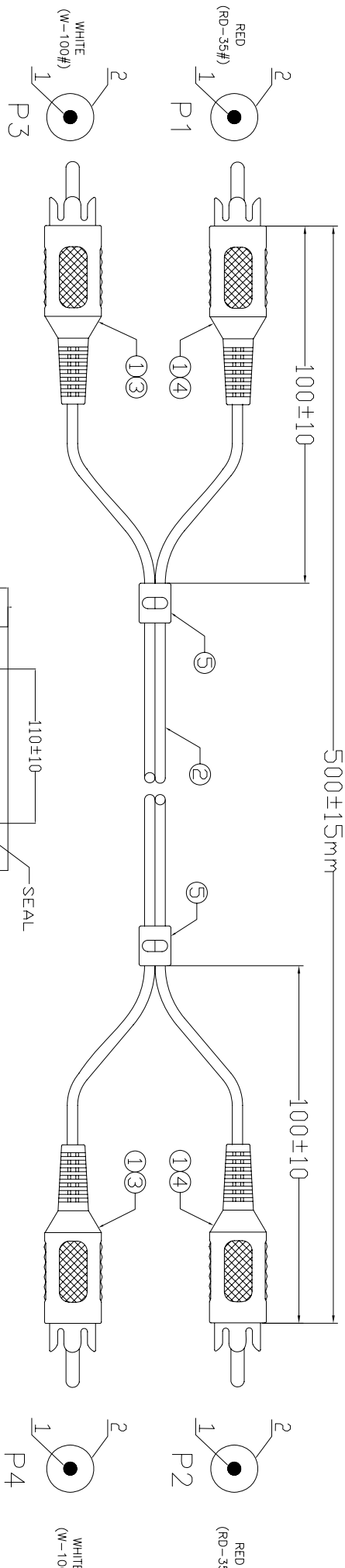
Click to view price, real time Inventory, Delivery & Lifecycle Information:

[CNC Tech](#)  
[770-20011-00050](#)

For any questions, you can email us directly:

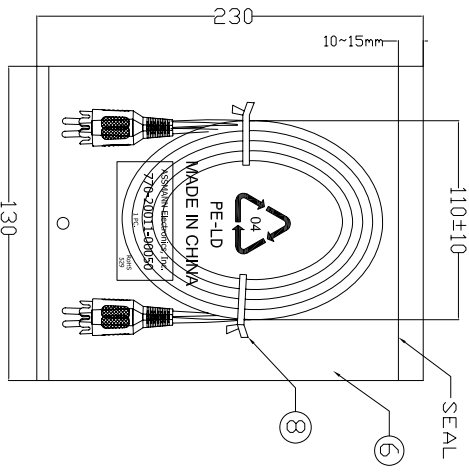
[sales@integrated-circuit.com](mailto:sales@integrated-circuit.com)

Units: mm



**Electrical test:**

1. 100% short, open, miswire test
2. Conduct resistance: 2 Ohm(max)
3. Insulation resistance: 5Mohm(min)
4. dielectric test: DC 300V



NO.	NAME	QTY	SPECIFICATION
①	CONN	4	RCA PLUG MALE 梅花型 TYPE NI-PLATED INSULATOR COLOR: BROWN
②	CABLE	1	NOUL 28#(10.0:10+28/0.10)*2F JACKET BLACK OD2.8*5.6mm
③	IN JACKET	1.6g	PVC-40P RED(RD-35).(Mould NO. WM-009)
④	OUT JACKET	6.6g	PVC-40P WHITE(W-100).(Mould NO. WM-009)
⑤	S/R	3.0g	BLACK PVC 40P (Mould NO.:SR-048)
⑥	PE BAG	1	CLEAR SIZE: 130*230*0.05mm PRINT BLACK"MADE IN CHINA"+"PC"
⑦	PE BAG	1/10	CLEAR SIZE: 280*330*0.05mm PRINT BLACK"MADE IN CHINA"+"10PCS"
⑧	TIE	2	BLACK L=80mm


4

3

2

1

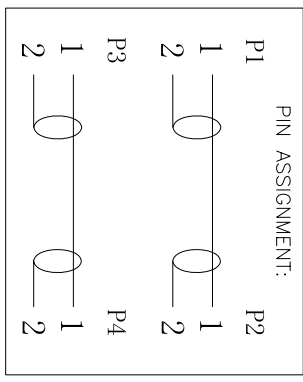
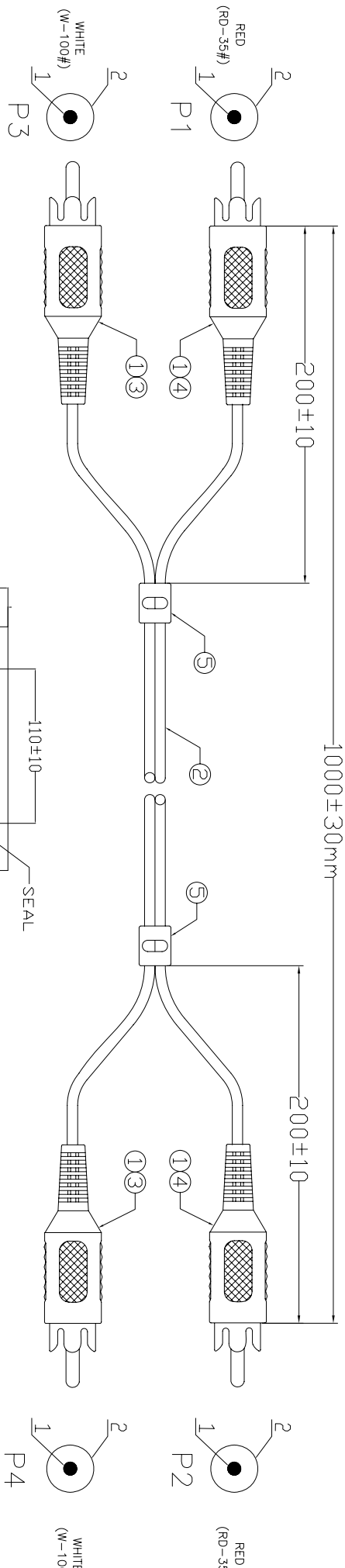
**CNC Tech, LLC**  
 Industrial Cable and Connector Technology

DRAWN BY	LICHENG	DRAWING NO.	VG/LJQ-094-0
CHECKED BY		CUSTOMER	CNC
APPROVAL BY		ITEM NO.	770-20011-000
DECIDE BY		DATE	2012-12-28
VERSIONS/EDITION	A/0	PROJECTION	

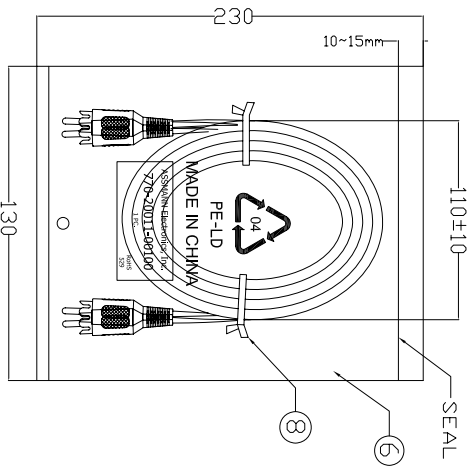
NOTE:  
 1. 小PE袋大PE袋对应料号, 包装数量及时间印刷样式:  
**CNC Tech, LLC**  
 Industrial Cable and Connector Technology  
 770-20011-00050  
 10PCS - 529  
 RoHS - 529  
 印袋A"印刷号  
 印刷袋的包装数量  
 表示529/099(每袋每产品生产周期印)

2. 外箱两个侧面ITEM NO.后面各贴一个35\*22mm ROHS标签。

Units: mm



**Electrical test:**  
 1. 100% short, open, miswire test  
 2. Conduct resistance: 5 Ohm(max)  
 3. Insulation resistance: 10Mohm(min)  
 4. dielectric test: DC 300V



⑧	TIE	2	BLACK L=80mm
⑦	PE BAG	1/10	CLEAR SIZE: 280*330*0.05mm PRINT BLACK*MADE IN CHINA*+*10PCS*
⑥	PE BAG	1	CLEAR SIZE: 130*230*0.05mm PRINT BLACK*MADE IN CHINA*+*1PC*
⑤	S/R	3.0g	BLACK PVC 40P (Mould NO.:SR-048)
④	IN JACKET	1.6g	CLEAR LD-PE (Mould NO.:NM-006)
③	OUT JACKET	6.6g	PVC-40P RED(RD-35),(Mould NO.WM-009)
②	CABLE	1	NOUL 28#(10/0.10+28/0.10)*2F JACKET BLACK OD2.8*5.6mm
①	CONN	4	RCA PLUG MALE 梅花型 TYPE NI-PLATED INSULATOR COLOR:BROWN
NO.	NAME	QTY	SPECIFICATION


4

3

2

1

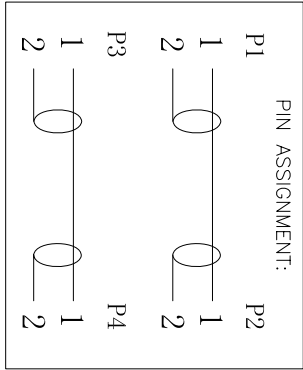
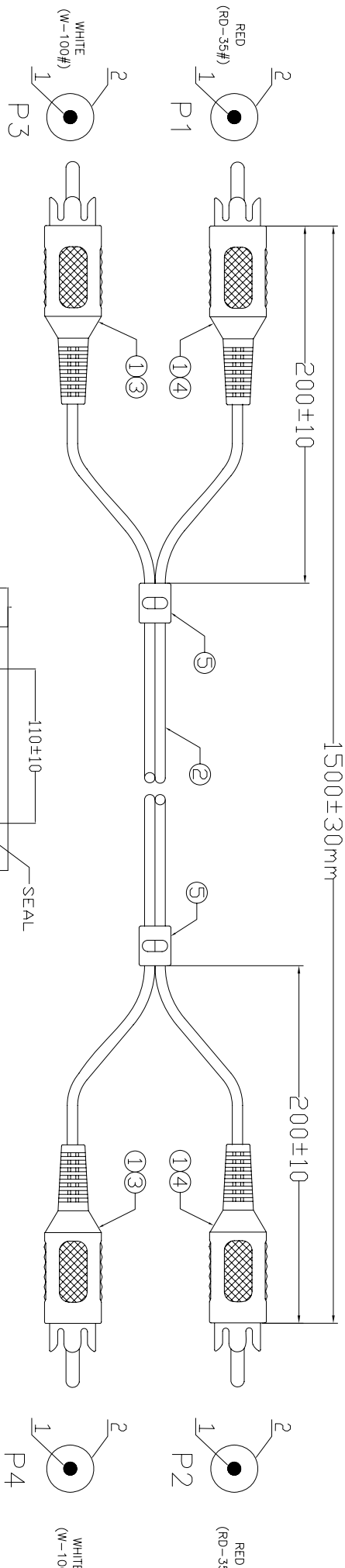
**CNC Tech, LLC**  
 Industrial Cable and Connector Technology

DRAWN BY	LICHENG	DRAWING NO.	VG/LJQ-094-082
CHECKED BY		CUSTOMER	CNC
APPROVAL BY		ITEM NO.	770-20011-001
DECIDE BY		DATE	2012-12-28
VERSIONS/EDITION	A/0	PROJECTION	

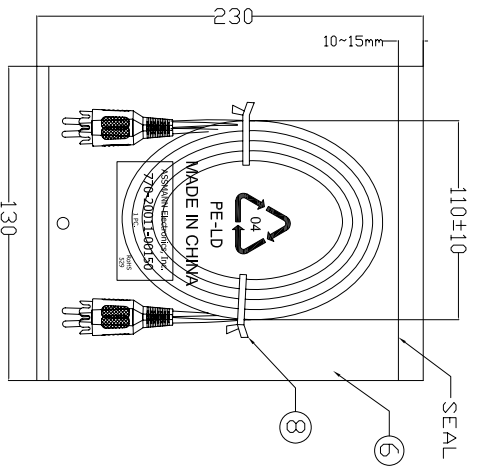
NOTE:  
 1.小PE袋对应料号,包装数量及时间印刷样式:  
**CNC Tech, LLC**  
 Industrial Cable and Connector Technology  
 770-20011-00100  
 10PCS  
 RoHS  
 529  
 印条A\*印刷号  
 印刷时间/数量  
 表示529099(每款产品生产周期印)

2.外箱两个侧面ITEM NO后面各贴一个35\*22mm ROHS标签。

Units: mm



Electrical test:  
 1. 100% short, open, miswire test  
 2. Conduct resistance: 5 Ohm(max)  
 3. Insulation resistance: 10Mohm(min)  
 4. dielectric test: DC 300V



⑧	TIE	2	BLACK L=80mm
⑦	PE BAG	1/10	CLEAR SIZE: 280*330*0.05mm PRINT BLACK*MADE IN CHINA*+*10PCS*
⑥	PE BAG	1	CLEAR SIZE: 130*230*0.05mm PRINT BLACK*MADE IN CHINA*+*1PC*
⑤	S/R	3.0g	BLACK PVC 40P (Mould NO.:SR-048)
④	IN JACKET	1.6g	CLEAR LD-PE (Mould NO.:NM-006)
③	OUT JACKET	6.6g	PVC-40P RED(RD-35),(Mould NO.WM-009)
②	IN JACKET	1.6g	CLEAR LD-PE (Mould NO.:NM-006)
①	OUT JACKET	6.6g	PVC-40P WHITE(W-100)(Mould NO.WM-009)
①	CABLE	1	NOUL 28#(10/0.10+28/0.10)*2F JACKET BLACK OD2.8*5.6mm
①	CONN	4	RCA PLUG MALE 梅花型 TYPE NI-PLATED INSULATOR COLOR:BROWN
①	NAME	QTY	SPECIFICATION

**CNC Tech, LLC**  
 Industrial Cable and Connector Technology

DRAWN BY	LICHENG	DRAWING NO.	VG/LJQ-094-082
CHECKED BY		CUSTOMER	CNC
APPROVAL BY		ITEM NO.	770-20011-001
DECIDE BY		DATE	2012-12-28
VERSIONS/EDITION	A/0	PROJECTION	

NOTE:  
 1.小PE袋大PE袋对应料号,包袋数量及时间印刷样式:  
**CNC Tech, LLC**  
 Industrial Cable and Connector Technology  
 770-20011-00150  
 10PCS: 10PCS  
 RoHS: 529  
 印袋A\*+材料号  
 印刷时间/包袋数量  
 表示529/099(年份)包袋产品生产周期印

2.外箱两个侧面ITEM NO.后面各贴一个35\*22mm ROHS标签。

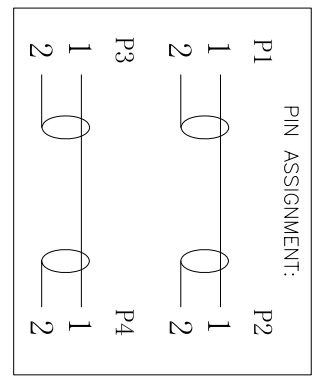
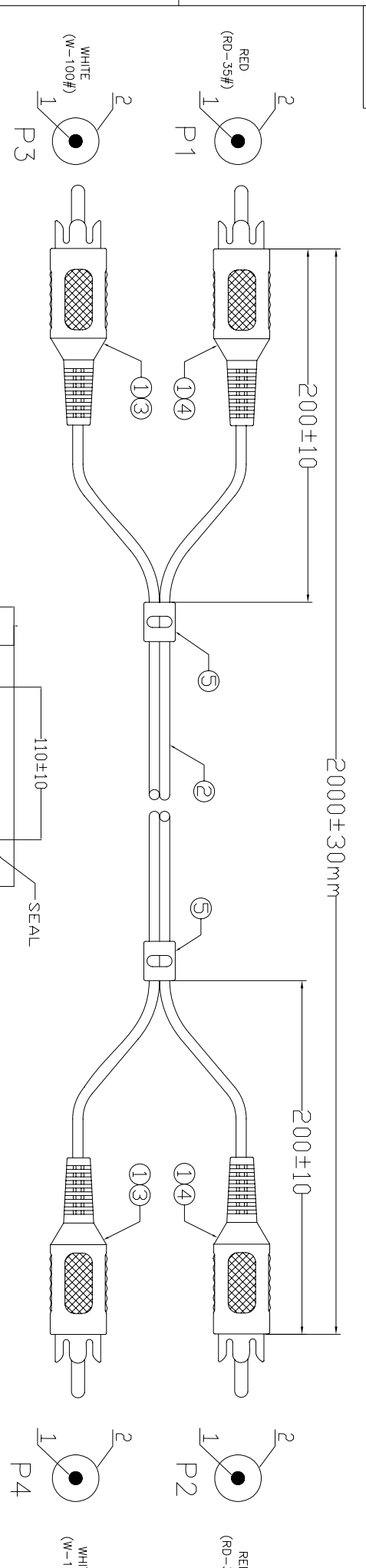
4

3

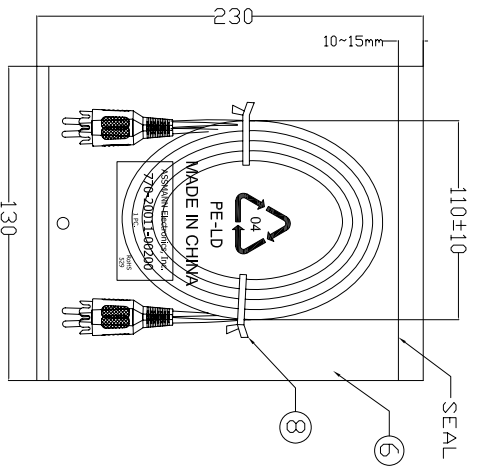
2

1

Units: mm



**Electrical test:**  
 1. 100% short, open, miswire test  
 2. Conduct resistance: 5 Ohm(max)  
 3. Insulation resistance: 10Mohm(min)  
 4. dielectric test: DC 300V



⑧	TIE	2	BLACK L=80mm
⑦	PE BAG	1/10	CLEAR SIZE: 280*330*0.05mm PRINT BLACK*MADE IN CHINA*+*10PCS*
⑥	PE BAG	1	CLEAR SIZE: 130*230*0.05mm PRINT BLACK*MADE IN CHINA*+*1PC*
⑤	S/R	3.0g	BLACK PVC 40P (Mould NO.:SR-048)
④	IN JACKET	1.6g	CLEAR LD-PE (Mould NO.:NM-006)
	OUT JACKET	6.6g	PVC-40P RED(RD-35),(Mould NO.WM-009)
	IN JACKET	1.6g	CLEAR LD-PE (Mould NO.:NM-006)
	OUT JACKET	6.6g	PVC-40P WHITE(W-100)(Mould NO.WM-009)
②	CABLE	1	NOUL 28#(10/0.10+28/0.10)*2F JACKET BLACK OD2.8*5.6mm
①	CONN	4	RCA PLUG MALE 梅花型 TYPE NI-PLATED INSULATOR COLOR:BROWN
NO.	NAME	QTY	SPECIFICATION

**CNC Tech, LLC**  
 Industrial Cable and Connector Technology

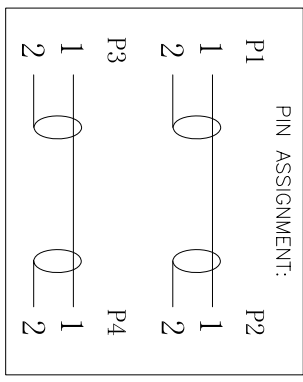
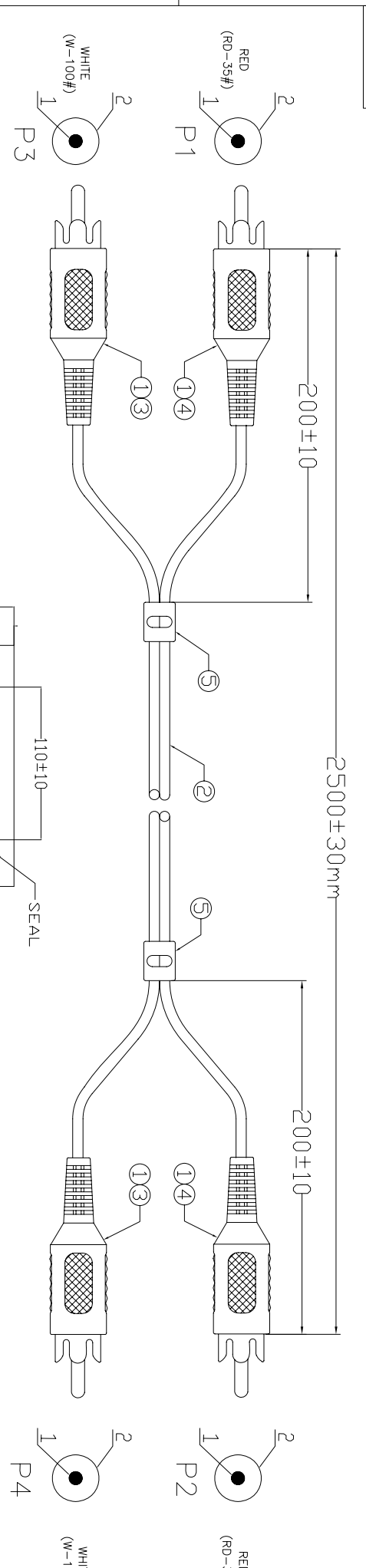
DRAWN BY	LICHENG	DRAWING NO.	VG/LJQ-094-08
CHECKED BY		CUSTOMER	CNC
APPROVAL BY		ITEM NO.	770-20011-00050
DECIDE BY		DATE	2012-12-28
VERSIONS/EDITION	A/0	PROJECTION	

NOTE:  
 1.小PE袋大PE袋对应料号,包装袋数量及时间印刷样式:  
 CNC Tech, LLC  
 Industrial Cable and Connector Technology  
 770-20011-000200  
 10 PCS  
 529  
 ROHS  
 印号人产单料号  
 印号对应的数量  
 表示数量(每袋数量)  
 表示数量(每袋数量)

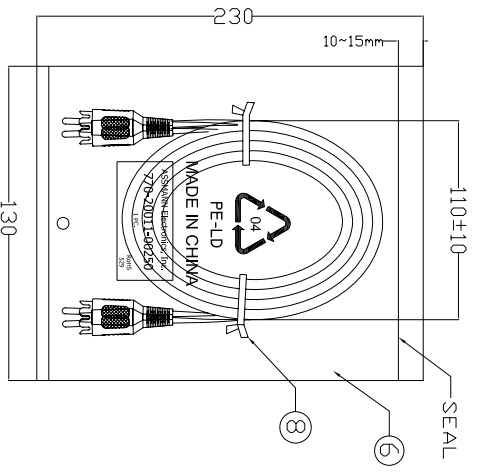
2.外箱两个侧边ITEM NO后面各贴一个35\*22mm ROHS标签。

4 3 2 1

Units: mm



**Electrical test:**  
 1. 100% short, open, miswire test  
 2. Conduct resistance: 5 Ohm(max)  
 3. Insulation resistance: 10Mohm(min)  
 4. dielectric test: DC 300V



⑧	TIE	2	BLACK L=80mm
⑦	PE BAG	1/10	CLEAR SIZE: 280*330*0.05mm PRINT BLACK*MADE IN CHINA*+*10PCS*
⑥	PE BAG	1	CLEAR SIZE: 130*230*0.05mm PRINT BLACK*MADE IN CHINA*+*1PC*
③	S/R	3.0g	BLACK PVC 40P (Mould NO.:SR-048)
④	IN JACKET	1.6g	CLEAR LD-PE (Mould NO.:NM-006)
	OUT JACKET	6.6g	PVC-40P RED(RD-35),(Mould NO.WM-009)
	IN JACKET	1.6g	CLEAR LD-PE (Mould NO.:NM-006)
	OUT JACKET	6.6g	PVC-40P WHITE(W-100)(Mould NO.WM-009)
②	CABLE	1	NOUL 28#(10/0.10+28/0.10)*2F JACKET BLACK OD2.8*5.6mm
①	CONN	4	RCA PLUG MALE 梅花型 TYPE NI-PLATED INSULATOR COLOR:BROWN
NO.	NAME	QTY	SPECIFICATION

4 3 2 1

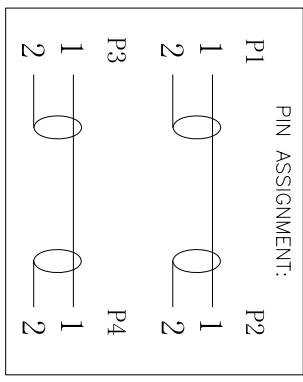
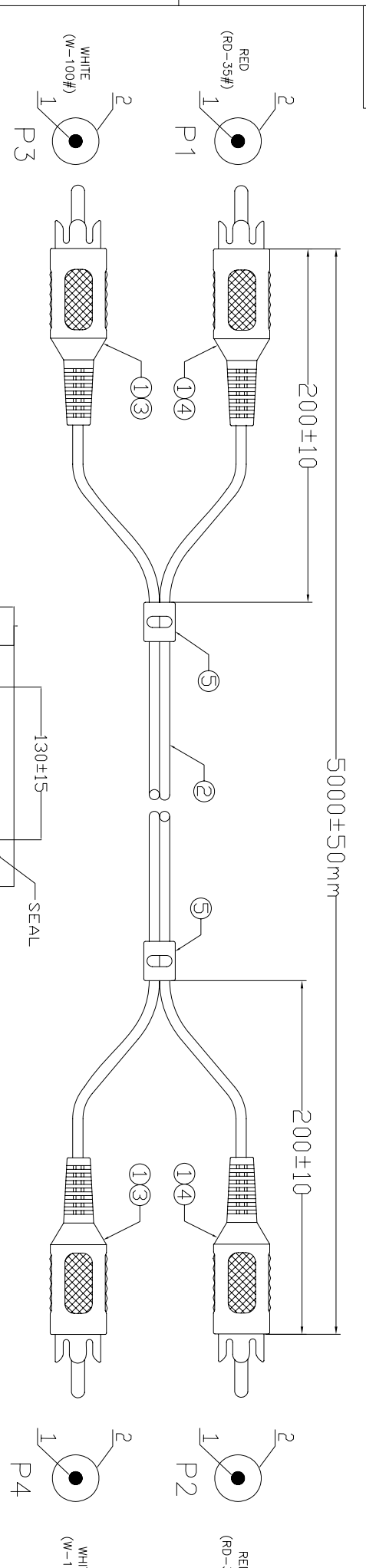
NOTE:  
 1.小PE袋大PE袋对应料号,包装袋数量及时间印刷样式:  
**Cnc Tech, LLC**  
 Industrial Cable and Connector Technology  
 770-20011-000250  
 10 PCS. ———— 529  
 RoHS ————  
 印号人产单料号  
 印号对应的袋数  
 表头0210094(袋每次产温非产周即印)

2.外箱两个脚跟ITEM NO后面各贴一个35\*22mm ROHS标签。

**Cnc Tech, LLC**  
 Industrial Cable and Connector Technology

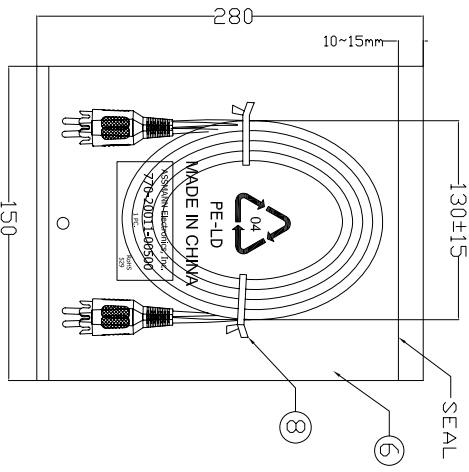
DRAWN BY	LICHENG	DRAWING NO.	VG/LJQ-094-08
CHECKED BY		CUSTOMER	CNC
APPROVAL BY		ITEM NO.	770-20011-00050
DECIDE BY		DATE	2012-12-28
VERSIONS/EDITION	A/0	PROJECTION	

Units: mm



**Electrical test:**

1. 100% short, open, miswire test
2. Conduct resistance: 5 Ohm(max)
3. Insulation resistance: 10Mohm(min)
4. dielectric test: DC 300V



⑧	TIE	2	BLACK L=80mm
⑦	PE BAG	1/10	CLEAR SIZE: 280*330*0.05mm PRINT BLACK*MADE IN CHINA*+5PCS*
⑥	PE BAG	1	CLEAR SIZE: 150*280*0.05mm PRINT BLACK*MADE IN CHINA*+1PC*
③	S/R	3.0g	BLACK PVC 40P (Mould NO.:SR-048)
④	IN JACKET	1.6g	CLEAR LD-PE (Mould NO.:NM-006)
	OUT JACKET	6.6g	PVC-40P RED(RD-35),(Mould NO:WM-009)
	IN JACKET	1.6g	CLEAR LD-PE (Mould NO.:NM-006)
	OUT JACKET	6.6g	PVC-40P WHITE(W-100)(Mould NO:WM-009)
②	CABLE	1	NOUL 28#(10/0.10+28/0.10)*2F JACKET BLACK OD2.8*5.6mm
①	CONN	4	RCA PLUG MALE 梅花型 TYPE NI-PLATED INSULATOR COLOR:BROWN
NO.	NAME	QTY	SPECIFICATION

4

3

2

1

**CNC Tech, LLC**  
 Industrial Cable and Connector Technology

DRAWN BY	LICHENG	DRAWING NO.	VG/LJQ-094-082
CHECKED BY		CUSTOMER	CNC
APPROVAL BY		ITEM NO.	770-20011-00050
DECIDE BY		DATE	2012-12-28
VERSIONS/EDITION	A/0	PROJECTION	

**NOTE:**

- 1.小PE袋大PE袋对应料号,包装袋数量及时间印刷样式:  
**Cnc Tech, LLC**  
 Industrial Cable and Connector Technology  
 770-20011-00050  
 5 PCS. ROHS 529  
 印号人产单料号  
 印对应的袋数  
 表示8210094(后每次产温非产周即印)
- 2.外箱两个侧面ITEM NO后面各贴一个35\*22mm ROHS标签。