

Excellent Integrated System Limited

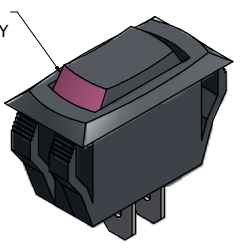
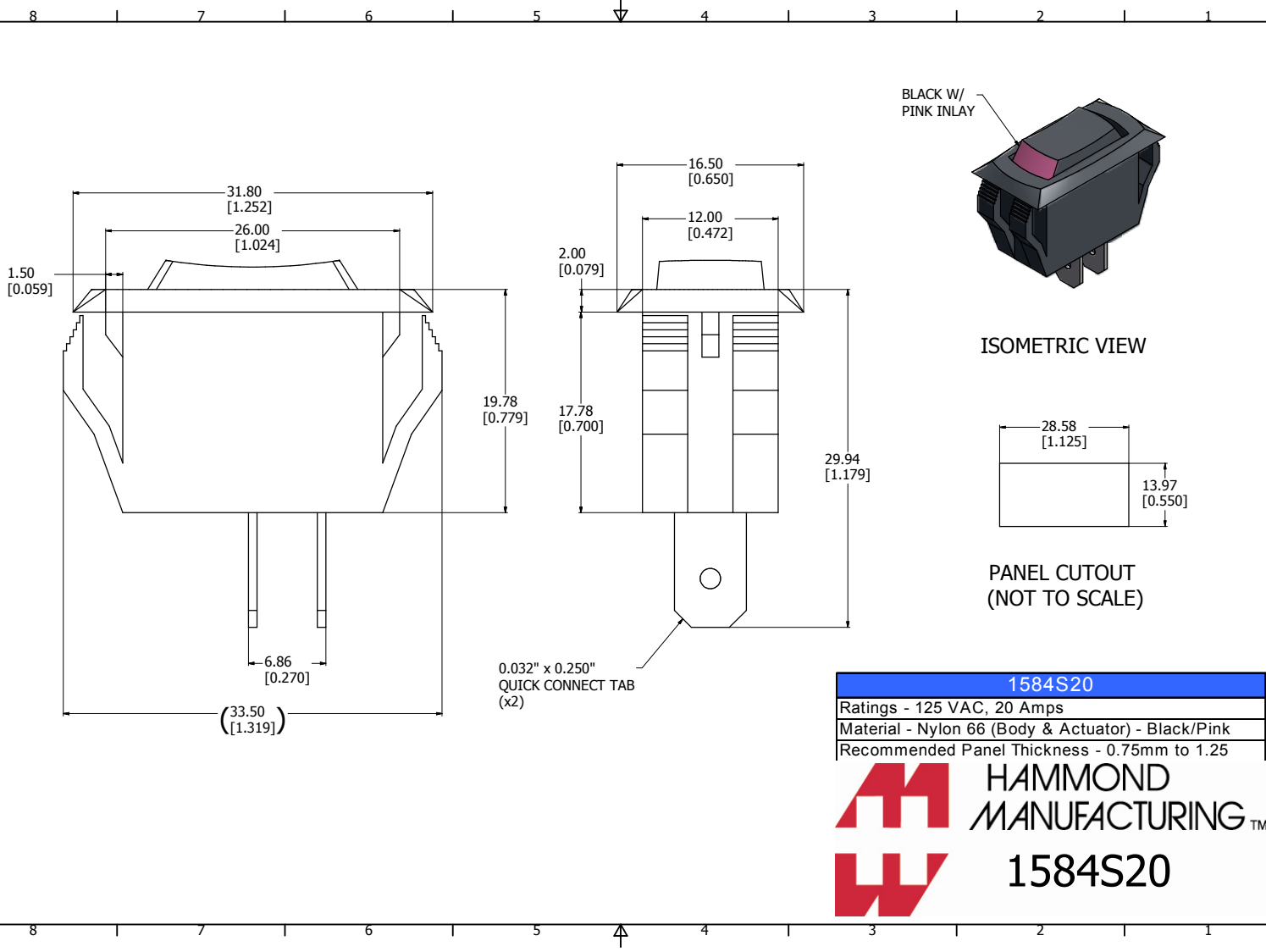
Stocking Distributor

Click to view price, real time Inventory, Delivery & Lifecycle Information:

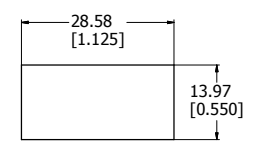
[Hammond Manufacturing](#)
[1584S20](#)

For any questions, you can email us directly:

sales@integrated-circuit.com



ISOMETRIC VIEW



PANEL CUTOUT (NOT TO SCALE)

1584S20	
Ratings - 125 VAC, 20 Amps	
Material - Nylon 66 (Body & Actuator) - Black/Pink	
Recommended Panel Thickness - 0.75mm to 1.25	

**HAMMOND
MANUFACTURING™**

1584S20