

Excellent Integrated System Limited

Stocking Distributor

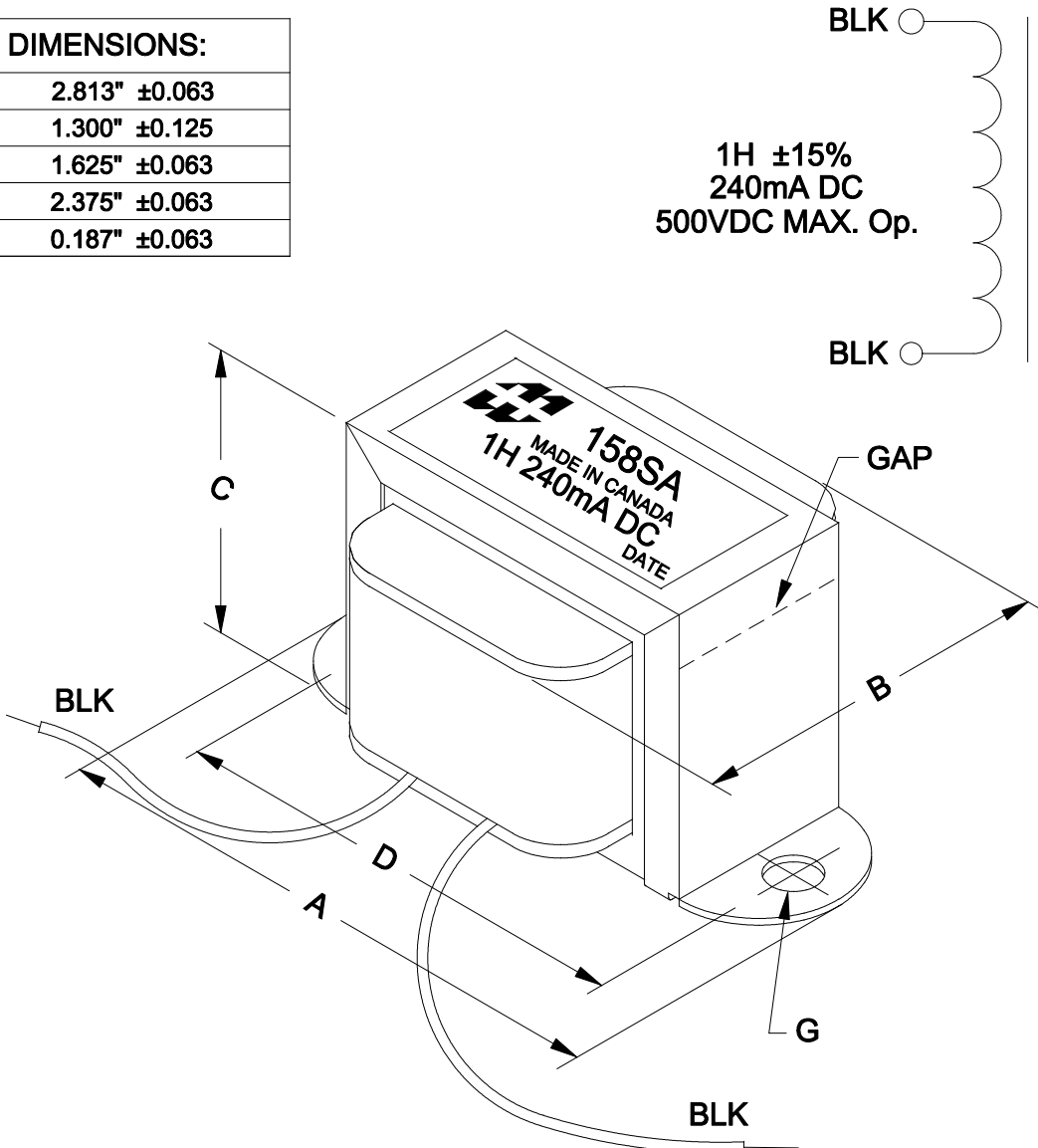
Click to view price, real time Inventory, Delivery & Lifecycle Information:

[Hammond Manufacturing](#)
[158SA](#)

For any questions, you can email us directly:

sales@integrated-circuit.com

| DIMENSIONS: | |
|-------------|---------------|
| A | 2.813" ±0.063 |
| B | 1.300" ±0.125 |
| C | 1.625" ±0.063 |
| D | 2.375" ±0.063 |
| G | 0.187" ±0.063 |



NOTE: ALL LEADS ARE 5" MIN. LONG OUT.
CLASS B (130°C) INSULATION
RoHS COMPLIANT

| ELECTRICAL DATA: | | |
|------------------|----------------------------------|---------------------|
| TESTS | CONDITIONS | ACCEPTANCE CRITERIA |
| INDUCTANCE | @ 30V, 60Hz, 240mA DC, BLK - BLK | 1H ±15% |
| DCR | @ 20°C, BLK - BLK = | 40.69 Ω ±15% |
| HIPOT | PRIMARY - SECONDARY | 1500V, 60Hz, 1 SEC |



**HAMMOND
MANUFACTURING**
ELECTRONIC DIVISION
52 RANKIN PLACE,
WATERLOO, ONTARIO, N2J 3Z5
PH # (519) 886-6181
FAX # (519) 886-9540

| | | | | |
|-------|----------|-----------|------------------|-------|
| TITLE | | | | 158SA |
| CHOKE | | | | |
| NO | DATE | REVISION | DWG. BY | |
| 0 | 10/01/12 | RELEASED. | C.I. CORINA ILIE | |
| | | | DATE | |
| | | | 10/01/12 | |
| | | | DIM IN(X)MM() | |