

## **Excellent Integrated System Limited**

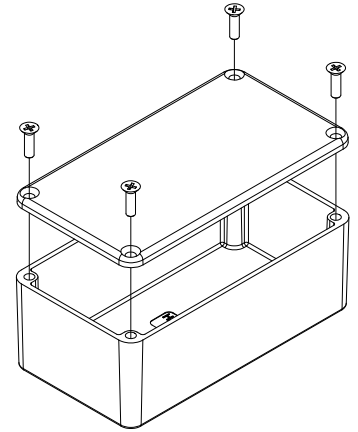
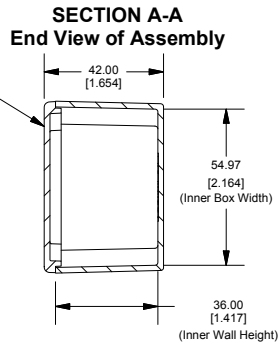
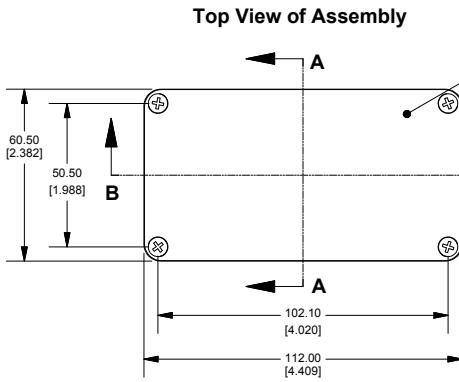
Stocking Distributor

Click to view price, real time Inventory, Delivery & Lifecycle Information:

[Hammond Manufacturing](#)  
[1590BS](#)

For any questions, you can email us directly:

[sales@integrated-circuit.com](mailto:sales@integrated-circuit.com)



Enclosures can be Factory Modified ( Milling, Drilling, Printing etc.)  
 Contact Factory [rjm@hammondmfg.com](mailto:rjm@hammondmfg.com) for quotes  
 Solid models of this enclosure available in STEP or IGES.

**NOTE**  
 Purchased assembly includes box, lid and 4 cover screws.  
 Box and lid are made from Diecast Aluminum Alloy.  
 Silicone Gasket supplied with liquid resistant enclosure.

PART NUMBERS	
1590BS Enclosure	
Natural Finish Enclosure	1590BS
Black Textured Enclosure	1590BSBK
1590BS Liquid Resistant Enclosure (Silicone Gasket)	
Natural Finish Enclosure	1590WBS
Black Textured Enclosure	1590WBSBK

ACCESSORIES	
Recommended Torque: 75 ozf.in / 55 cN.m	
Liquid Resistant Cover Screws	
Stainless Steel Cover Screws (Pkg 100) [6-32 x 1/2" With O-Ring]	1590WMS100
Black Stainless Steel Cover Screws (Pkg 100) [6-32 x 1/2" With O-Ring]	1590WMS100BK
Standard Cover Screws	
Plated Cover Screws (Pkg 100) [6-32 x 1/2"]	1590MS100
Black Cover Screws (Pkg 100) [6-32 x 1/2"]	1590MS100BK

**1590BS**  
[www.hammondmfg.com](http://www.hammondmfg.com)

Dimensions:  
 mm  
 [inches]

