

Excellent Integrated System Limited

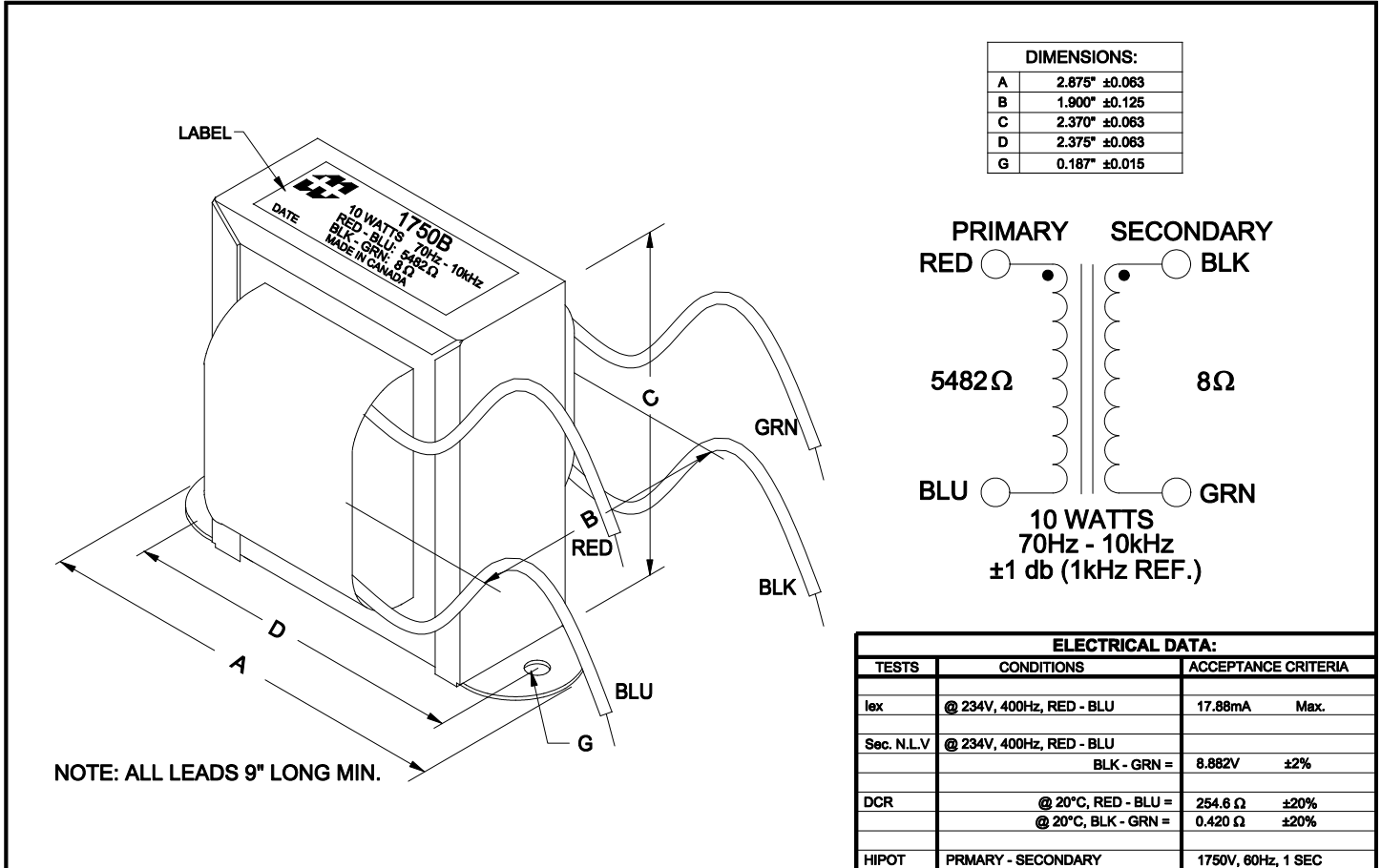
Stocking Distributor

Click to view price, real time Inventory, Delivery & Lifecycle Information:

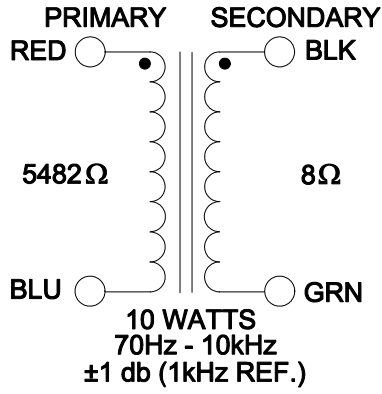
[Hammond Manufacturing](#)
[1750B](#)

For any questions, you can email us directly:

sales@integrated-circuit.com



DIMENSIONS:	
A	2.875" ±0.063
B	1.900" ±0.125
C	2.370" ±0.063
D	2.375" ±0.063
G	0.187" ±0.015



ELECTRICAL DATA:		
TESTS	CONDITIONS	ACCEPTANCE CRITERIA
Iex	@ 234V, 400Hz, RED - BLU	17.88mA Max.
Sec. N.L.V	@ 234V, 400Hz, RED - BLU	
	BLK - GRN =	8.882V ±2%
DCR	@ 20°C, RED - BLU =	254.6 Ω ±20%
	@ 20°C, BLK - GRN =	0.420 Ω ±20%
HIPOT	PRIMARY - SECONDARY	1750V, 60Hz, 1 SEC

REV.#	REVISION	DATE	HAMMOND MANUFACTURING		ELECTRONIC DIVISION		
0	RELEASED.	09/21/10	52 RANKIN PLACE, WATERLOO, ONTARIO, N2J 3Z5		PH # (519) 886-6181 FAX # (519) 886-9540		
			DWG. BY: C. ILIE	CHK'D BY:	TITLE: 1750B	DWG. NO.	
			DATE: 09/21/10	APP'D. BY:	TRANSFORMER	1750B	
				DIMENSIONS: IN() MM()			