

Excellent Integrated System Limited

Stocking Distributor

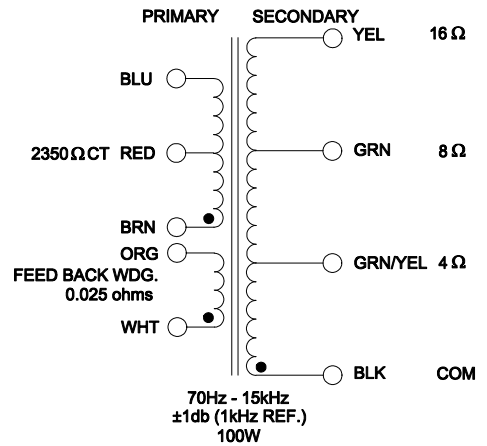
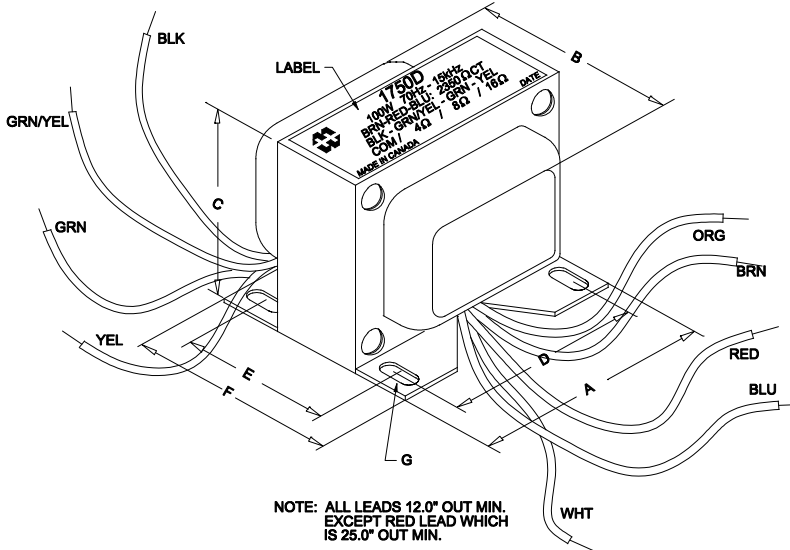
Click to view price, real time Inventory, Delivery & Lifecycle Information:

[Hammond Manufacturing](#)
[1750D](#)

For any questions, you can email us directly:

sales@integrated-circuit.com

DIMENSIONS:	
A	4.050" ±0.063
B	3.715" ±0.125
C	3.500" ±0.063
D	3.500" ±0.063
E	2.500" ±0.063
F	3.020" ±0.063
G	0.187" x 0.300" ±0.015



ELECTRICAL DATA:		
TESTS	CONDITIONS	ACCEPTANCE CRITERIA
Iex	@ 240V, 60Hz, BRN - BLU	3.4mA Max.
Sec. N.L.V	@ 240V, 60Hz, BRN - BLU	
	BRN - RED = RED - BLU =	120.0V ±2%
	BLK - GRN/YEL =	10.09V ±2%
	BLK - GRN =	14.28V ±2%
	BLK - YEL =	20.18V ±2%
POLARITY	BRN, WHT, BLK	ADDITIVE
DCR	@ 20°C, BRN - RED =	33.09 Ω ±20%
	@ 20°C, RED - BLU =	34.82 Ω ±20%
	@ 20°C, WHT - ORG =	0.370 Ω ±20%
	@ 20°C, BLK - GRN/YEL =	0.300 Ω ±20%
	@ 20°C, BLK - GRN =	0.690 Ω ±20%
	@ 20°C, BLK - YEL =	0.860 Ω ±20%
HIPOT	PRIMARY - SECONDARY	2000V, 60Hz, 1 SEC

REV.#	REVISION	DATE	HAMMOND MANUFACTURING ELECTRONIC DIVISION 52 RANKIN PLACE, WATERLOO, ONTARIO, N2J 3Z5 PH # (519) 886-6181 FAX # (519) 886-9540		
0	RELEASED.	05/10/11	DWG. BY: C. ILIE	CHK'D BY:	TITLE: 1750D
			DATE: 05/10/11	APP'D. BY:	TRANSFORMER
				DIMENSIONS: IN() MM()	DWG. NO. 1750D