

Excellent Integrated System Limited

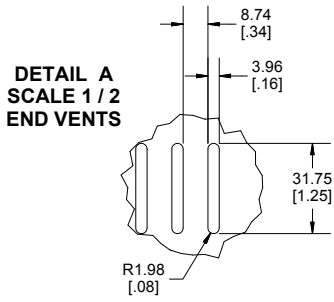
Stocking Distributor

Click to view price, real time Inventory, Delivery & Lifecycle Information:

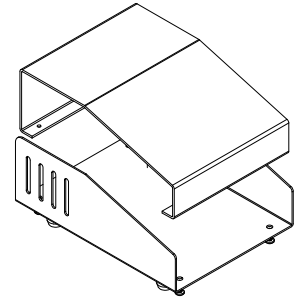
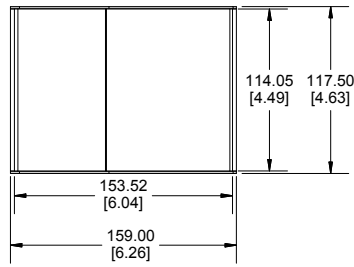
[Hammond Manufacturing](#)
[515-0910](#)

For any questions, you can email us directly:

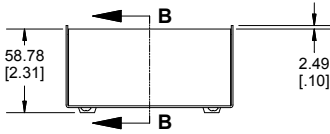
sales@integrated-circuit.com



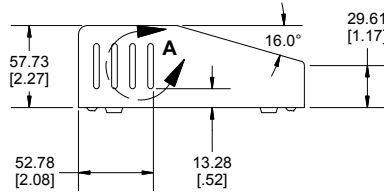
TOP VIEW OF ENCLOSURE



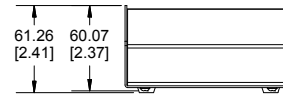
BACK VIEW OF ENCLOSURE



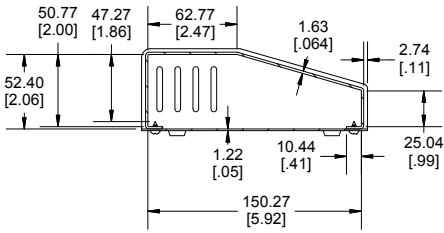
END VIEW OF ENCLOSURE



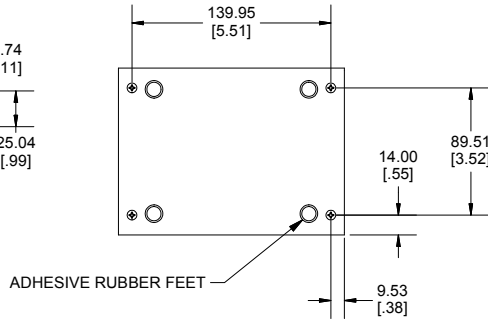
FRONT VIEW OF ENCLOSURE



**SECTION B-B
END VIEW**



BOTTOM VIEW OF ENCLOSURE



Enclosures can be Factory Modified (Milling, Drilling, Printing etc.)
Contact Factory mjm@hammondmfg.com for quotes
Solid models of this enclosure available in STEP or IGES.

NOTE

Case Includes Adhesive Rubber Feet and Required Hardware.
Enclosure Case is Made of 0.05" Steel.
Top Panel is Made of 0.064" Aluminum.

PART NUMBERS

515-0910 Enclosure

Smooth Light Grey Top Case
Dark Satin Grey Base Case

515-0910

ACCESSORIES

Plated Cover Screws (Pkg 50)
#6 x 1/4 Self Tapping

SC19482-50

Grey Self-Adhesive Rubber Feet (Pkg 4)

1421T2GY



**HAMMOND
MANUFACTURING™**

515-0910

www.hammondmfg.com

Dimensions:
mm
[inches]