

Excellent Integrated System Limited

Stocking Distributor

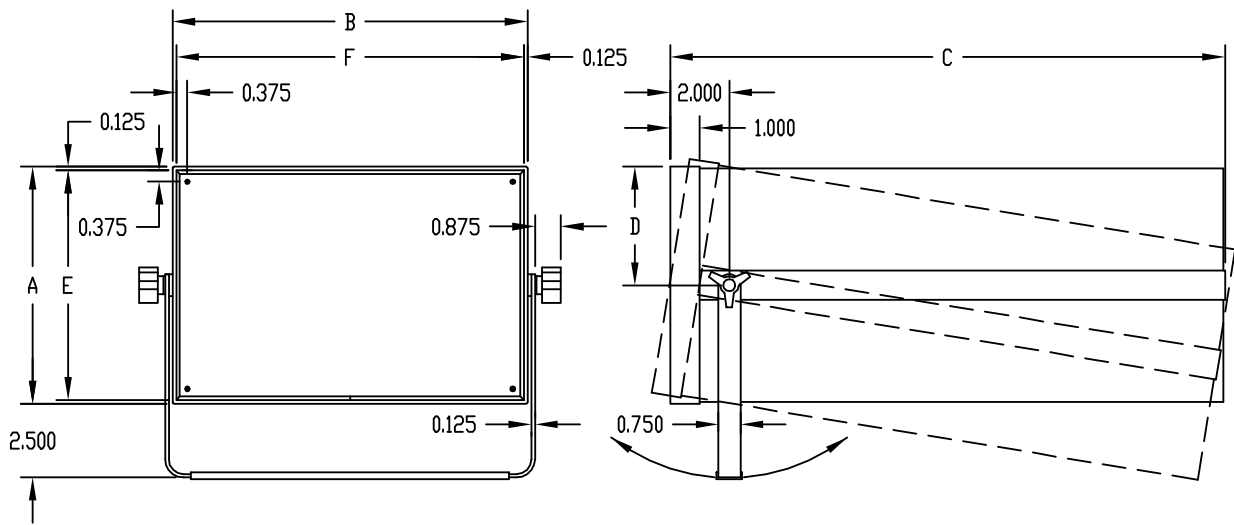
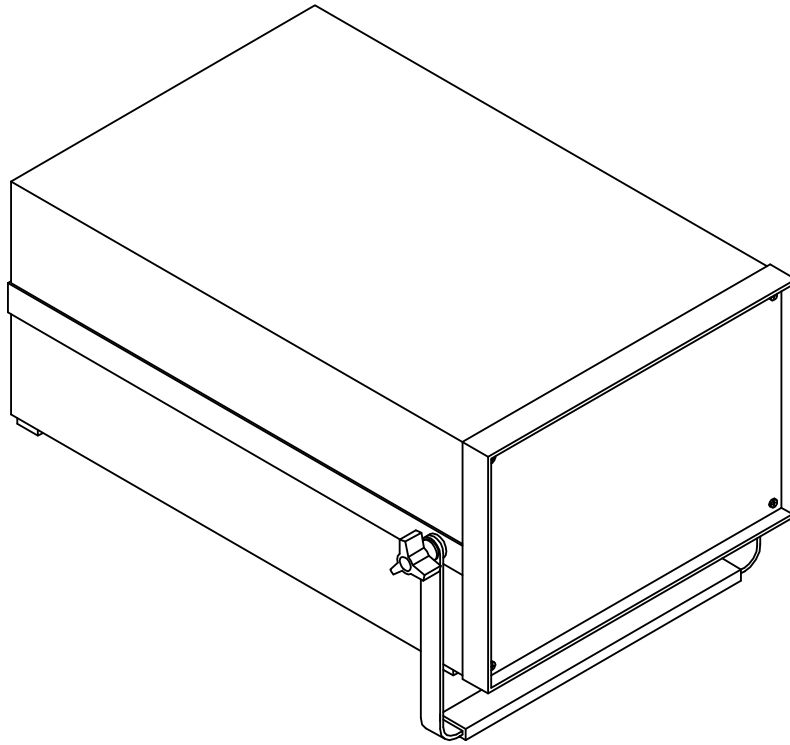
Click to view price, real time Inventory, Delivery & Lifecycle Information:

[BUD Industries, Inc.](#)
[TR-6102](#)

For any questions, you can email us directly:

sales@integrated-circuit.com

PART NAME	TR SERIES	PART No.	TR-6100 THRU TR-6103
-----------	-----------	----------	----------------------



FINISH:

FRAME AND BAIL _____ WHITE TEXTURED
 FRONT PANEL AND COVERS _____ ROYAL BLUE TEXTURED
 BAIL, TUBING, FEET AND KNOBS _____ BLACK
 BAIL WASHERS _____ WHITE TEFLON

MATERIAL:

FRONT PANEL _____ 0.090 ALUMINUM
 CORNER GUSSETS _____ 0.060 ALUMINUM
 COVERS _____ 0.050 ALUMINUM
 FRAME _____ EXTRUDED ALUMINUM
 BAIL _____ EXTRUDED ALUMINUM
 BAIL TUBING _____ NEOPRENE
 FEET _____ SELF-ADHESIVE RUBBER
 KNOBS _____ PLASTIC

NOTES:

FRONT PANEL RECESSED 0.375.

PART No.	OVERALL			PANEL SPACE		PANEL		INSIDE CLEARANCE			
	A	B	C	D	E	F	G	H	HEIGHT	WIDTH	DEPTH
TR-6100	3.500	8.312	10.750	1.750	3.250	8.046	3.187	7.984	3.000	7.796	10.000
TR-6101	5.250	8.312	13.250	2.625	5.000	8.046	4.937	7.984	4.750	7.796	12.500
TR-6102	7.000	11.062	13.250	3.500	6.750	10.828	6.687	10.765	6.500	10.578	12.500
TR-6103	8.000	12.000	18.750	4.000	7.750	11.750	7.687	11.687	7.500	11.500	18.000