

Excellent Integrated System Limited

Stocking Distributor

Click to view price, real time Inventory, Delivery & Lifecycle Information:

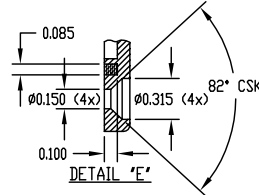
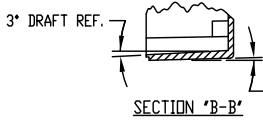
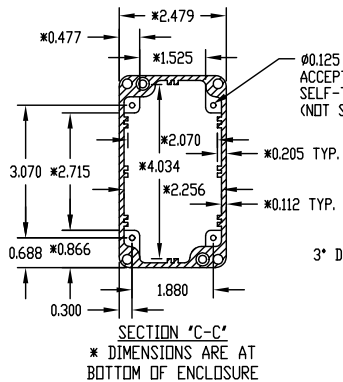
[BUD Industries, Inc.](#)

[AN-1303](#)

For any questions, you can email us directly:

sales@integrated-circuit.com

PART NAME	NEMA 4X DIE CAST ALUMINUM ENCLOSURE	PART No.	AN-1303, AN-1303-G, AN-2803 & AN-2803-B	REV. DATE	5-13-09
-----------	-------------------------------------	----------	---	-----------	---------

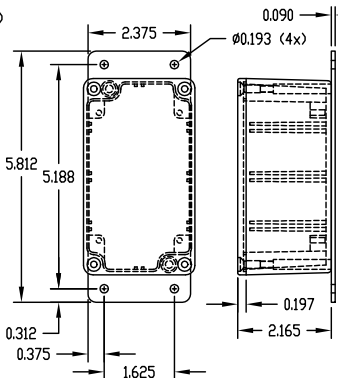
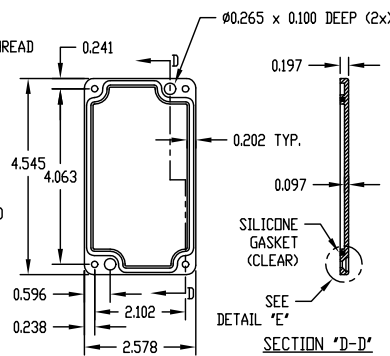
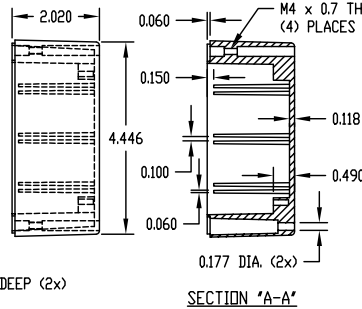
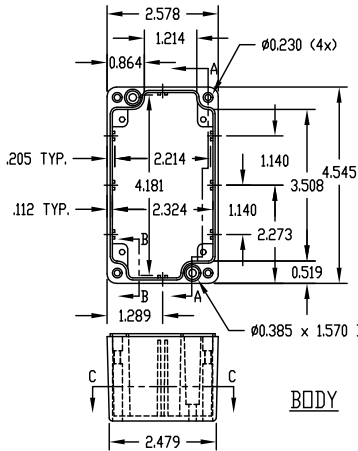


MATERIAL: ALUMINUM ALLOY #ADC-12

FINISH: NATURAL (NO SUFFIX)
GRAY (SUFFIX -G)
SMOOTH BLACK (SUFFIX -B)

NOTES:

- 1) FOUR (4) M4 x 20mm (0.787") LG. SCREWS SUPPLIED FOR ASSEMBLY OF COVER TO BODY.
- 2) ALL HOLE DIAMETERS HAVE ± 0.005 TOLERANCE ALL OTHER DIMENSIONS HAVE ± 0.015 TOLERANCE



PART NO. AN-2803 & AN-2803-B ARE SUPPLIED WITH A WELDED ON MOUNTING BRACKET ONLY.