



Distributor of BUD Industries, Inc.: Excellent Integrated System Limited

Datasheet of NBA-10144 - BOX ABS GRAY 11.83"L X 7.85"W

Contact us: [sales@integrated-circuit.com](mailto:sales@integrated-circuit.com) Website: [www.integrated-circuit.com](http://www.integrated-circuit.com)

---

## Excellent Integrated System Limited

Stocking Distributor

Click to view price, real time Inventory, Delivery & Lifecycle Information:

[BUD Industries, Inc.](#)

[NBA-10144](#)

For any questions, you can email us directly:

[sales@integrated-circuit.com](mailto:sales@integrated-circuit.com)

PART NAME	NON-METALLIC ENCLOSURE (STYLE A)	PART No.	NBA-10144 & NBA-10164
-----------	----------------------------------	----------	-----------------------

**MATERIAL:**

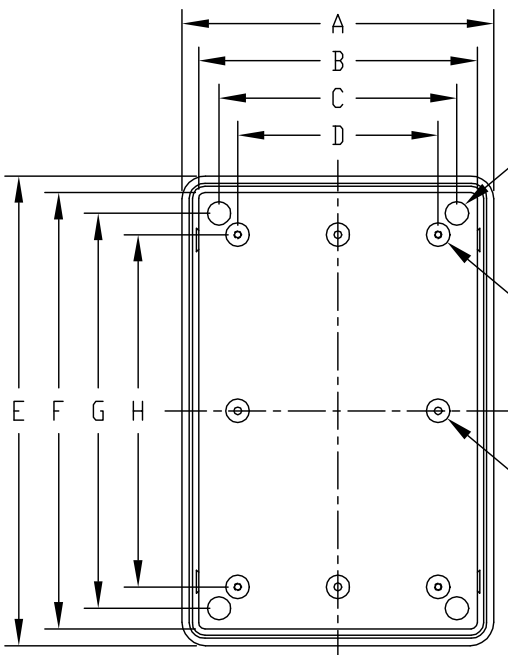
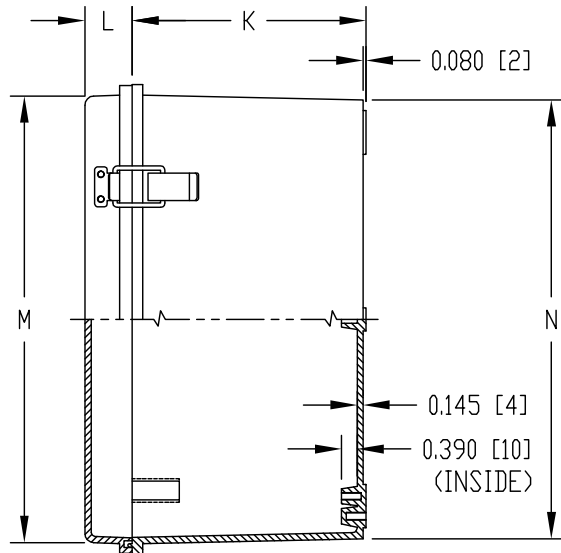
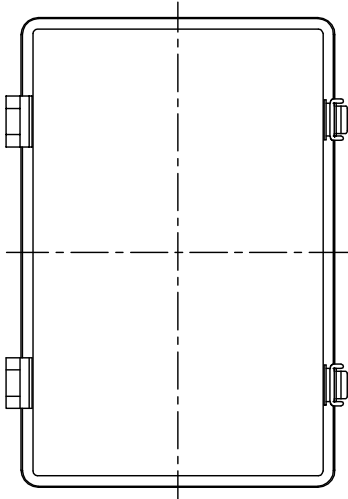
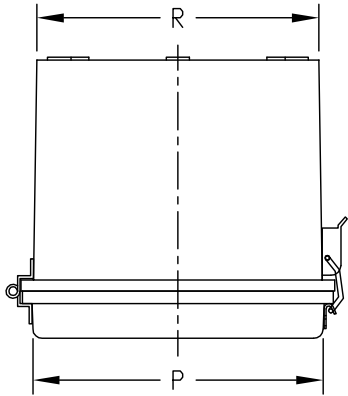
SOLID BODY & COVER \_\_\_\_\_ ABS/PC BLENDED PLASTIC  
UL94-5VB FLAMMABILITY RATING

CLEAR COVER \_\_\_\_\_ POLYCARBONATE PLASTIC  
UL94V-0 FLAMMABILITY RATING  
UV STABILIZED

LATCHES, HINGES &  
WALL MOUNTING BRACKETS \_\_\_\_\_ STAINLESS STEEL

**FINISH:**

BODY \_\_\_\_\_ LIGHT GRAY  
COVER \_\_\_\_\_ LIGHT GRAY OR CLEAR



VIEW LESS COVER

0.590 [15] DIA. BOSS  
WITH M5 x 0.8mm  
THREADED BRASS INSERT  
(4) PLACES (FAR SIDE)

0.590 [15] DIA. BOSS  
WITH M5 x 0.8mm  
THREADED BRASS INSERT  
(4) PLACES

0.590 [15] DIA. BOSS WITH  
0.197 [5] DIA. HOLE x  
0.395 [10] DEEP (4) PLACES  
BOSSSES ACCEPT M6 METRIC OR  
0.250" STD. SHEET METAL SCREWS  
x 0.375 [9] LG. (NOT SUPPLIED)

COVER INCLUDES GRAY POLY-  
URETHANE GASKET.

**NOTE:** UNIT COMES COMPLETE WITH  
(4) WALL MOUNTING BRKTS.  
& (4) M5 x 10mm LG. TRUSS  
HD. MACHINE SCREWS (NOT SHOWN)

INTERNAL HINGED PANEL MOUNTING  
BRACKETS, AIR & MOISTURE VENTS,  
STAINLESS STEEL LOCKING HASP  
AND GALVANIZED STEEL INTERNAL  
PANEL ARE NOT INCLUDED, BUT  
CAN BE PURCHASED SEPARATELY.

**INDUSTRY STANDARDS:**

UL508 TYPE 1, 2, 4, 4X INDOOR, 12 & 13  
NEMA TYPE 1, 2, 4, 4X, 12 & 13  
IEC529-IP65