

Excellent Integrated System Limited

Stocking Distributor

Click to view price, real time Inventory, Delivery & Lifecycle Information:

[BUD Industries, Inc.](#)

[CU-1874-B](#)

For any questions, you can email us directly:

sales@integrated-circuit.com

PART NAME UTILIBOX (STYLE F)

PART No.

CU-1874-B & CU-1874-G

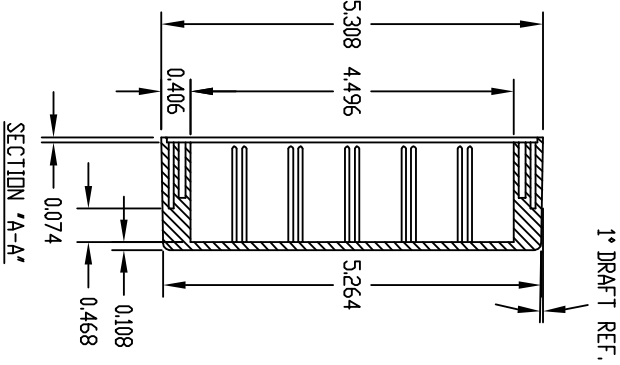
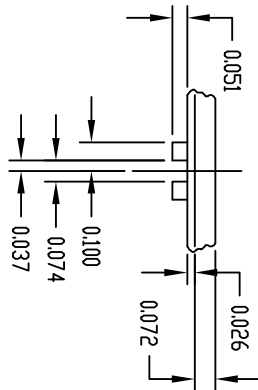
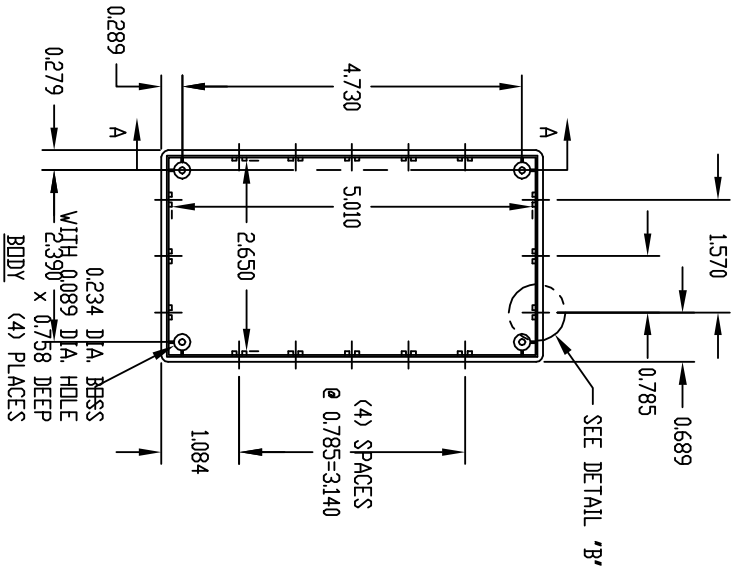
MATERIAL: COVER AND BODY ----- MOLDED IMPACT RESISTANT ABS

FINISH: (SUFFIX -B) COVER AND BODY ----- BLACK (SUFFIX -G) COVER AND BODY ----- GRAY

FOUR (4) M2.5 x 17.5mm LG. SCREWS ARE SUPPLIED FOR ASSEMBLY.

NOTE: ALL DIMENSIONS HAVE ± 0.015 TOLERANCE UNLESS OTHERWISE SPECIFIED.

MOUNTING BASSES USE EITHER M2.5 METRIC OR #4 STD. SHEET METAL SCREWS x 0.187" LG. (NOT SUPPLIED)



0.212 DIA. BOSS WITH 0.097 DIA. HOLES 0.196 DEEP (4) PLACES

