

Excellent Integrated System Limited

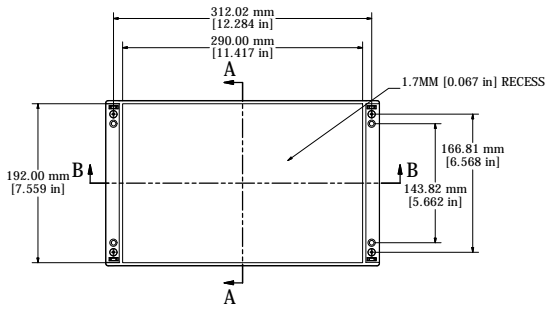
Stocking Distributor

Click to view price, real time Inventory, Delivery & Lifecycle Information:

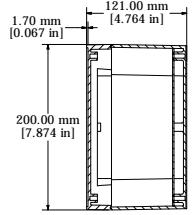
[Hammond Manufacturing](#)
[R191-202-100](#)

For any questions, you can email us directly:

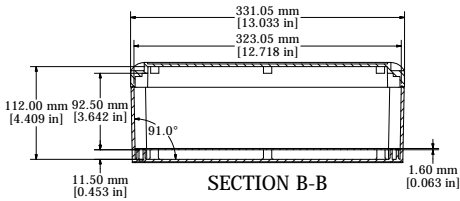
sales@integrated-circuit.com



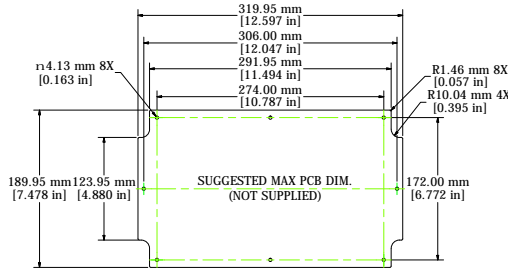
ASSEMBLY - TOP VIEW



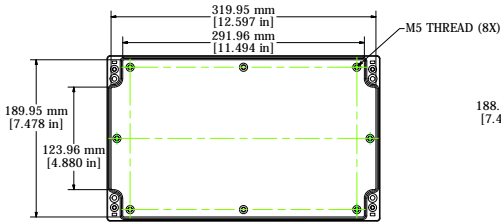
SECTION A-A



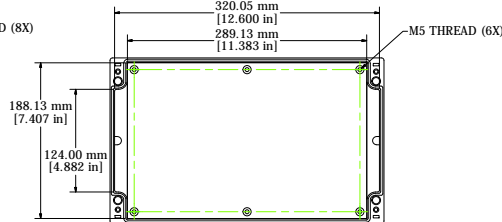
SECTION B-B



PCB



BOX - INSIDE VIEW



LID - INSIDE VIEW

Enclosures can be Factory Modified (Milling, Drilling, Printing etc.)
Contact Factory mjm@hammondmfg.com for quotes
Solid models of this enclosure available in STEP or IGES.

NOTE
Purchased Assembly includes:
Top and Bottom Cover (Die-cast aluminum G Al Si 12 / DN 1725)
4 Captive Stainless Steel Screws
Standard Powder Coated (Silky Grey RAL 7040)
PCM Design Covers
Lid Holder



**HAMMOND
MANUFACTURING™**

R191-202-100

www.hammondmfg.com