

## **Excellent Integrated System Limited**

Stocking Distributor

Click to view price, real time Inventory, Delivery & Lifecycle Information:

[Panasonic Electronic Components](#)  
[EVQ-VVD00203B](#)

For any questions, you can email us directly:

[sales@integrated-circuit.com](mailto:sales@integrated-circuit.com)

# Panasonic

Encoders/EVQVV

## 10 mm Square SMD Encoders

Type: **EVQVV**



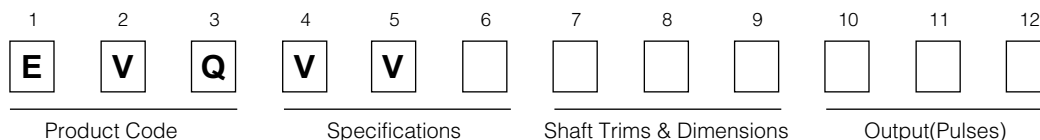
### ■ Features

- Low profile(H=2.2 mm),  
Shaft hole diameters of up to 4 mm.
- Light operation with a rotation torque of 2 mN·m
- Automatic mounting and SMDs.

### ■ Recommended Applications

- Air conditioning temperature controls
- Input of operation units
- Computer peripherals

### ■ Explanation of Part Numbers



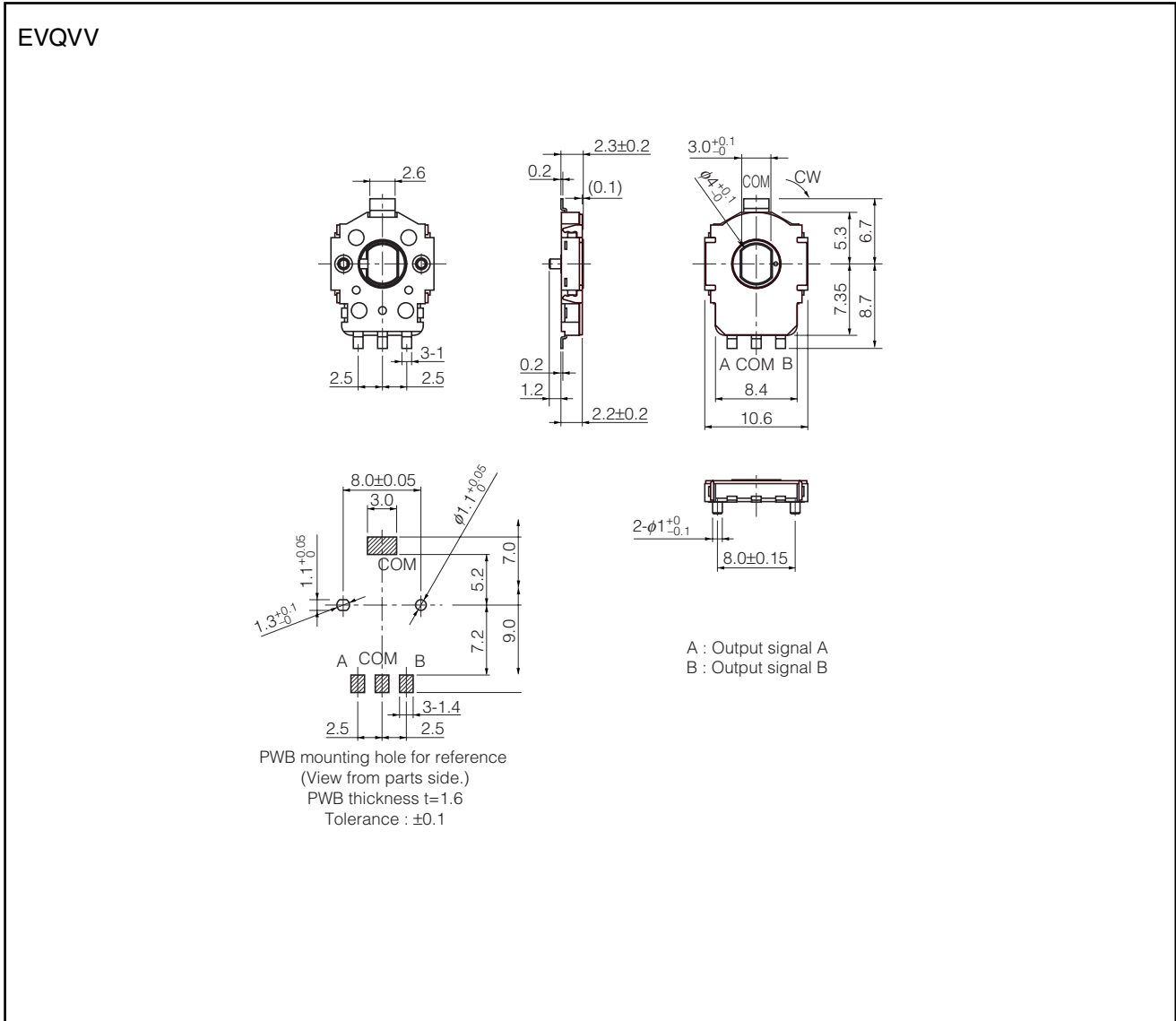
### ■ Specifications

Mechanical	Rotation Angle	360 ° (Endless)
	Rotation Torque	2 mN·m max.
Electrical	Output Signals	Phase A and B
	Resolution	3 pulses/360 °
	Rating	1 mA 10 Vdc (at each bit)
	Contact Resistance	10 Ω max.
	Insulation Resistance	50 MΩ min. (at 50 Vdc)
	Dielectric Withstanding Voltage	50 Vac for 1 minute
	Bouncing	5 ms max.
Endurance	Rotation Life	70000 cycles min.
Minimum Quantity/Packing Unit		1500 pcs. Embossed Taping (Reel Pack)
Quantity/Carton		6000 pcs.

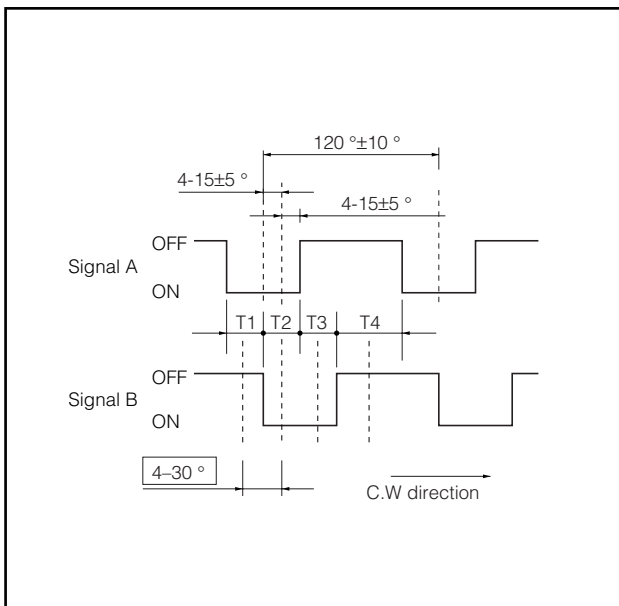
**Panasonic**

Encoders/EVQVV

■ Dimensions in mm (not to scale)



■ Phase Difference



■ Test Circuit Diagram

