

Excellent Integrated System Limited

Stocking Distributor

Click to view price, real time Inventory, Delivery & Lifecycle Information:

[Phoenix Contact](#)
[1404008](#)

For any questions, you can email us directly:

sales@integrated-circuit.com

<https://www.phoenixcontact.com/us/produkte/1404008>



Sensor/Actuator cable - SAC-4P-M12MR/5,0-600 FB - 1404008

Please be informed that the data shown in this PDF Document is generated from our Online Catalog. Please find the complete data in the user's documentation. Our General Terms of Use for Downloads are valid (<http://download.phoenixcontact.com>)



Sensor/Actuator cable, 4-position, PP-EPDM halogen-free, Gray RAL 7035, Plug angled M12, A-coded, on Free cable end, Cable length: 5 m, Hygienic design, with plastic knurl



Key commercial data

| | |
|------------------------|---|
| Packing unit | 0 |
| Minimum order quantity | 1 |
| GTIN |  4 046356 677547 |
| Custom tariff number | 85444290 |
| Country of origin | POLAND |

Technical data

General data

| | |
|---------------------------------|---|
| Rated current at 40°C | 4 A |
| Rated voltage | 250 V |
| Number of positions | 4 |
| Volume resistance | ≤ 5 mΩ |
| Insulation resistance | ≥ 100 MΩ |
| Length of cable | 5 m |
| Ambient temperature (operation) | -40 °C ... 105 °C (Male connector / female connector) |

General characteristics

| | |
|-----------------------------|---------------------------------------|
| Standards/regulations | M12 plug-in connector IEC 61076-2-101 |
| Coding | A - standard |
| Surge voltage category | II |
| Pollution degree | 3 |
| Degree of protection | IP65/IP68/IP69K |
| Insertion/withdrawal cycles | ≥ 100 |
| Torque | 0.4 Nm (M12 plug-in connector) |
| Contact material | CuSn |
| Contact surface material | Ni/Au |
| Contact carrier material | PP |

<https://www.phoenixcontact.com/us/produkte/1404008>


Sensor/Actuator cable - SAC-4P-M12MR/5,0-600 FB - 1404008

Technical data

General characteristics

| | |
|-----------------------|----|
| Material of grip body | PP |
| Material, knurls | PP |
| Status display | No |

Conductor data

| | |
|---|---|
| Cable type | Halogen-free PP gray |
| Cable type (abbreviation) | 600 |
| Cable abbreviation | Li9Y9Y |
| Conductor cross section | 4x 0.34 mm ² (signal line) |
| AWG signal line | 22 |
| Conductor structure signal line | 42x 0.10 mm |
| Core diameter including insulation | 1.27 mm ±0.02 mm (signal line) |
| Thickness, insulation | ≥ 0.21 mm (Core insulation) |
| Wire colors | brown, white, blue, black |
| Overall twist | 4 wires, twisted |
| Length of twist, overall twist | 48 mm |
| External sheath, color | Gray RAL 7035 |
| Outer sheath thickness | Approx. 0.8 mm |
| External cable diameter D | 4.7 mm ±0.15 mm |
| Minimum bending radius, fixed installation | 5 x D |
| Minimum bending radius, flexible installation | 10 x D |
| Cable weight | 30 kg/km |
| Outer sheath, material | PP-EPDM |
| Material conductor insulation | PP |
| Conductor material | Bare Cu litz wires |
| Conductor resistance | 58 Ω/km (At an ambient temperature of 20°C) |
| Nominal voltage, conductor | ≤ 300 V AC |
| Test voltage, conductor | ≥ 3000 V AC (Spark test) |
| Special properties | FDA compliant |
| Halogen-free | in accordance with DIN VDE 0472 part 815 |
| Ambient temperature (operation) | -40 °C ... 105 °C (cable, fixed installation) |

Classifications

ETIM

| | |
|----------|----------|
| ETIM 3.0 | EC001855 |
| ETIM 4.0 | EC001855 |
| ETIM 5.0 | EC001855 |

UNSPSC

| | |
|--------------|----------|
| UNSPSC 11 | 31251501 |
| UNSPSC 12.01 | 31251501 |
| UNSPSC 13.2 | 31251501 |

<https://www.phoenixcontact.com/us/produkte/1404008>



Sensor/Actuator cable - SAC-4P-M12MR/5,0-600 FB - 1404008

Classifications

UNSPSC

| | |
|---------------|----------|
| UNSPSC 6.01 | 31251501 |
| UNSPSC 7.0901 | 31251501 |

eCl@ss

| | |
|------------|----------|
| eCl@ss 4.0 | 27060306 |
| eCl@ss 4.1 | 27060306 |
| eCl@ss 5.0 | 27061801 |
| eCl@ss 5.1 | 27061801 |
| eCl@ss 6.0 | 27061801 |
| eCl@ss 7.0 | 27061801 |

Accessories

Accessories

Tools

Cable-cutting tool - CUTFOX-S VDE - 1212207



Diagonal cutter for copper and aluminum conductors, VDE-tested

Stripping tool - WIREFOX SAC - 1212623



Stripping pliers, for halogen-free sensor/actuator cables (SAC cables), with PUR and PVC insulation, from Ø of 4.4 to 7 mm, any stripping length

Stripping tool - WIREFOX 10 - 1212150



Stripping tool, for cables and conductors from 0.02 - 10 mm², self-adjusting, stripping length of up to 18 mm, cutting capacity of up to 10 mm² stranded/1.5 mm² solid, replaceable stripping blade

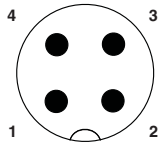
Drawings

<https://www.phoenixcontact.com/us/produkte/1404008>



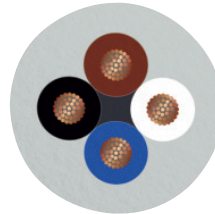
Sensor/Actuator cable - SAC-4P-M12MR/5,0-600 FB - 1404008

Schematic diagram



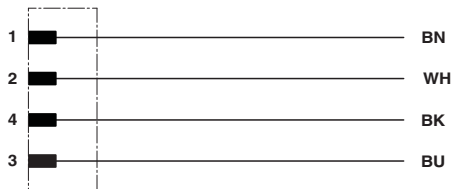
Pin assignment M12 plug, 4-pos., A-coded, view plug side

Cable cross section



Halogen-free PP gray [600]

Circuit diagram



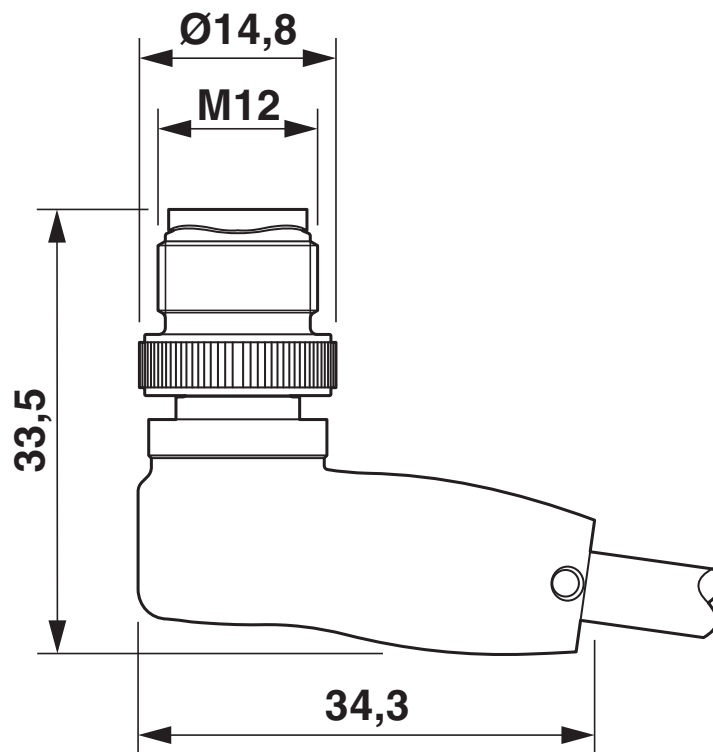
Contact assignment of the M12 plug

<https://www.phoenixcontact.com/us/produkte/1404008>



Sensor/Actuator cable - SAC-4P-M12MR/5,0-600 FB - 1404008

Dimensioned drawing



<https://www.phoenixcontact.com/us/produkte/1404008>



© Phoenix Contact 2012 - all rights reserved
<http://www.phoenixcontact.com>