

Excellent Integrated System Limited

Stocking Distributor

Click to view price, real time Inventory, Delivery & Lifecycle Information:

[Molex Connector Corporation](#)
[0366970002](#)

For any questions, you can email us directly:

sales@integrated-circuit.com

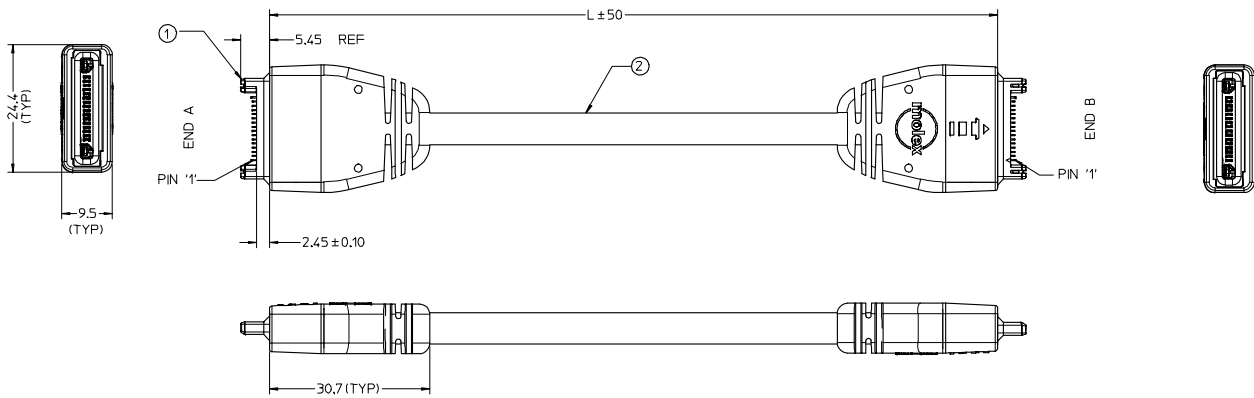


TABLE-1

16	YELLOW/WHITE	16
15	GREEN/WHITE	15
14	BROWN/WHITE	14
13	BLUE/WHITE	13
12	ORANGE/WHITE	12
11	RED/WHITE	11
10	WHITE	10
9	BLACK/WHITE	9
8	VOILET	8
7	BLUE	7
6	GREEN	6
5	YELLOW	5
4	ORANGE	4
3	RED	3
2	BROWN	2
1	BLACK	1
END A	COLOUR	END B

PART NUMBER	'L' (MM)
36697-0001	1000
36697-0002	2000
36697-0003	3000

ITEM	DESCRIPTION	QTY
2	16 CORE CABLE, 7/0.1 STRANDED TINNED COPPER 30 AWG, PVC JACKETED, OD 6.0MM	-
1	HANDYLINK 16 PIN CONNECTOR PART 453391600	2

GENERAL TOLERANCES (UNLESS SPECIFIED)		DIMENSION STYLE	SCALE	DESIGN UNITS	THIRD ANGLE PROJECTION
		MM ONLY	2:1	METRIC	
4 PLACES	± ---	mm	DRAWN BY	DATE	
3 PLACES	± ---	INCH	SSUDHIR	2005/07/20	
2 PLACES	± ---		CHECKED BY	DATE	
1 PLACE	± ---		KPRASAD	2005/07/20	
ANGULAR		± ---°	APPROVED BY	DATE	
			KPRASAD	2005/07/20	

DRAFT WHERE APPLICABLE MUST REMAIN WITHIN DIMENSIONS		MATERIAL NO.	DOCUMENT NO.	SHEET NO.
		SEE CHART	SD-36697-001	1 OF 1

RoHS COMPLIANT

REV	DESCRIPTION	DATE
1	APPROVED	2006/06/28
2	CHECKED	2006/06/28
3	DRAWN	2006/06/28

QUALITY SYMBOLS	DESCRIPTION
▽=0	
▽=0	