

Excellent Integrated System Limited

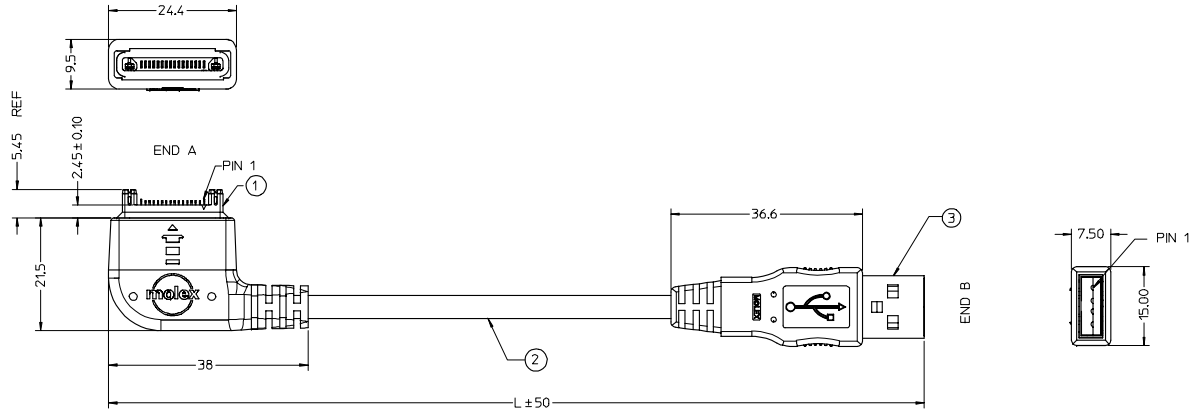
Stocking Distributor

Click to view price, real time Inventory, Delivery & Lifecycle Information:

[Molex Connector Corporation](#)
[0366970062](#)

For any questions, you can email us directly:

sales@integrated-circuit.com



| HANDYLINK CONNECTOR END A | WIRE COLOR | USB A PLUG END B |
|---------------------------|--|------------------|
| CKT # 1 | DRAIN WIRE | SHELL |
| CKT # 2 | --- | --- |
| CKT # 3 | --- | --- |
| CKT # 4 | BLACK | CKT # 4 |
| CKT # 5 | GREEN | CKT # 3 |
| CKT # 6 | WHITE | CKT # 2 |
| CKT # 7 | RED | CKT # 1 |
| CKT # 8 | --- | --- |
| CKT # 9 | --- | --- |
| CKT # 10 | --- | --- |
| CKT # 11 | --- | --- |
| CKT # 12 | --- | --- |
| CKT # 13 | --- | --- |
| CKT # 14 | --- | --- |
| CKT # 15 | --- | --- |
| CKT # 16 | INTERNALLY SHORTED IN HANDYLINK CONN. TO CKT 1 | --- |
| Latch 1 | --- | --- |
| Latch 2 | --- | --- |

| PART NUMBER | 'L' (MM) |
|-------------|----------|
| 36697-0061 | 1000 |
| 36697-0062 | 2000 |
| 36697-0063 | 3000 |

| ITEM | DESCRIPTION | QTY |
|------|---|-----------|
| 3 | USB 'A' PLUG | 1 |
| 2 | USB SHIELDED HIGH SPEED CABLE 2.0 REVISION 28/1P+26/2C E52534-D AWM 30V 75°C VW-1 DIA 4.4MM | SEE CHART |
| 1 | HANDYLINK 16 PIN CONNECTOR PART 45339-1600 | 1 |

RoHS COMPLIANT

| REV | DESCRIPTION | QUALITY SYMBOLS | GENERAL TOLERANCES (UNLESS SPECIFIED) | | DRAWN BY | DATE | TITLE | SCALE | DESIGN UNITS | THIRD ANGLE PROJECTION |
|-----|--|-----------------|--|------|----------|------------|---|-------|--------------|------------------------|
| | | | mm | INCH | | | | | | |
| 1 | EC NO. 12006-0503 DRAWN: SSUDHIR 2006/06/28 CHKD: KRASAD 2006/06/28 APPR: KRASAD 2006/06/28 | ▽=0 ▽=0 | 4 PLACES ±--- | ±--- | DONNELL | 2005/08/19 | HANDYLINK RIGHT ANGLED TO USB 'A' PLUG CABLE ASSEMBLY | 2:1 | METRIC | MOLEX INCORPORATED |
| | | | 3 PLACES ±--- | ±--- | SSUDHIR | 2005/08/19 | | | | |
| | | | 2 PLACES ±--- | ±--- | SSUDHIR | 2005/08/19 | | | | |
| | | | 1 PLACE ±--- | ±--- | SSUDHIR | 2005/08/19 | | | | |
| | | | ANGULAR ±--- | ° | | | | | | |
| | | | DRAFT WHERE APPLICABLE MUST REMAIN WITHIN DIMENSIONS | | | | SEE CHART | | | |
| | | | | | | | | | | |