

Excellent Integrated System Limited

Stocking Distributor

Click to view price, real time Inventory, Delivery & Lifecycle Information:

[Molex Connector Corporation](#)
[0734151472](#)

For any questions, you can email us directly:

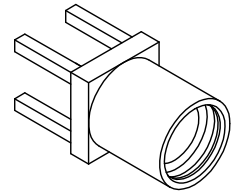
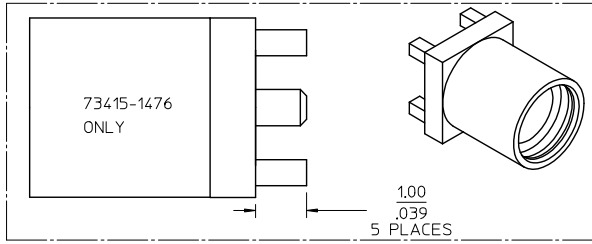
sales@integrated-circuit.com

MATERIALS AND FINISHES

BODY SEE TABLE
PLATED SEE TABLE

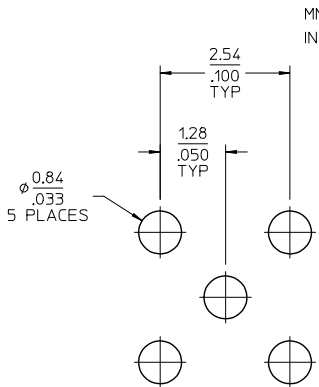
CENTER CONTACT BERYLLIUM COPPER
PLATED GOLD

INSULATOR TEFLON

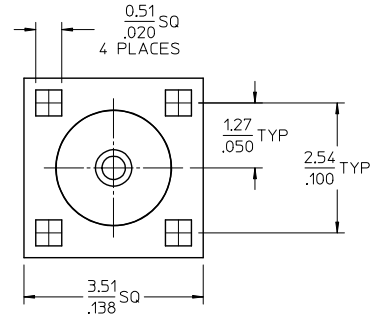
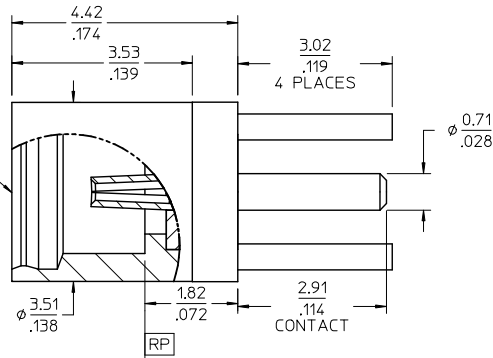


NOTE
PART # 73415-1473 IS

(NON-MAGNETIC)



SUGGESTED PCB LAYOUT

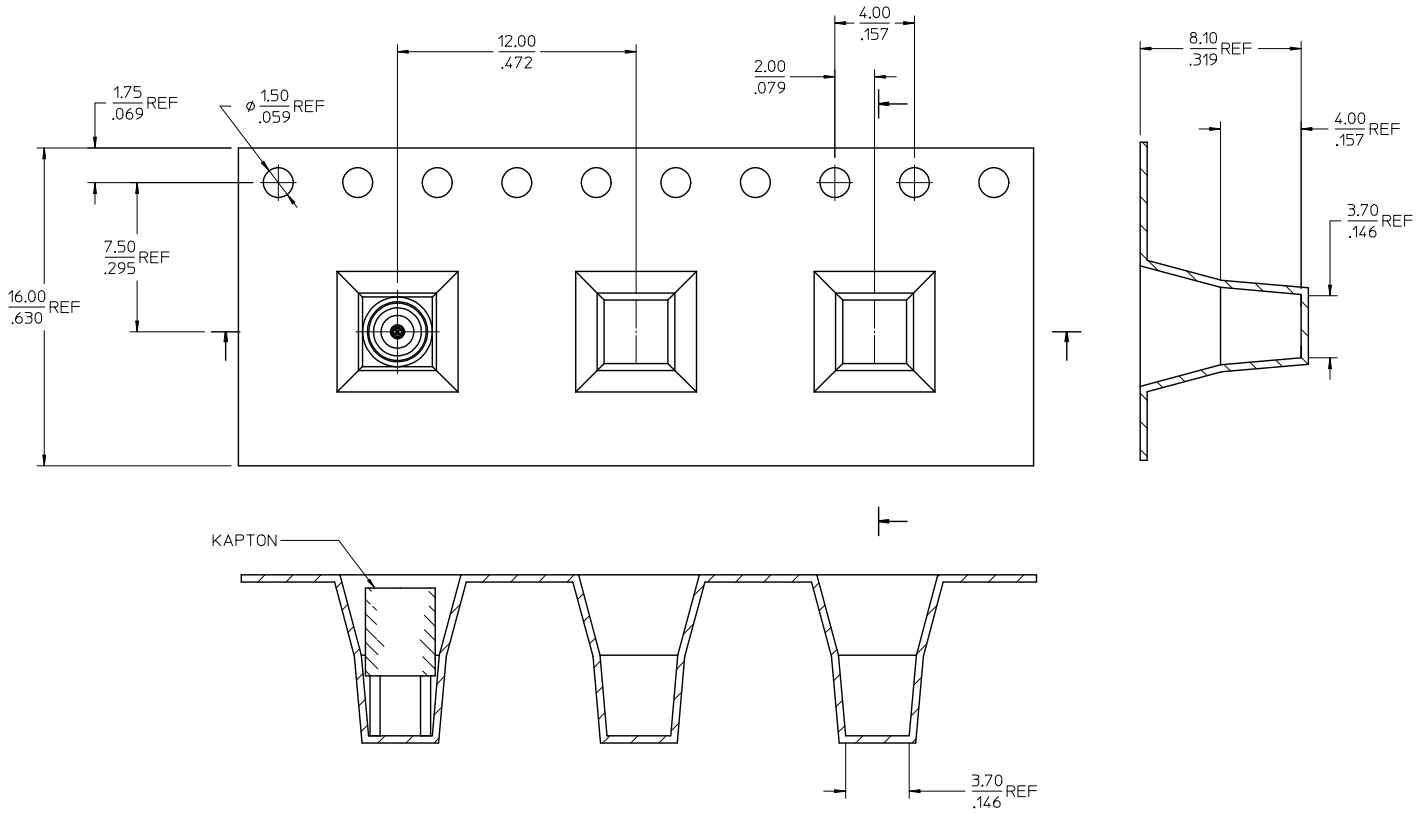


73415-1477	TRAY	BRASS/GOLD(PER COMMERCIAL REQUIREMENT)
73415-1476	TRAY (1.00 MM LEG LENGTHS)	BRASS/GOLD(PER COMMERCIAL REQUIREMENT)
73415-1475	P/N 73415-1471 WITH TAPE AND REEL	BRASS/GOLD(PER COMMERCIAL REQUIREMENT)
73415-1474	TRAY	BRASS/GOLD(PER COMMERCIAL REQUIREMENT)
73415-1473	BULK	BeCu/GOLD (NON MAGNETIC)
73415-1472	P/N 73415-1471, ONE PER BAG	BRASS/GOLD(PER COMMERCIAL REQUIREMENT)
73415-1471	BULK	BRASS/GOLD(PER COMMERCIAL REQUIREMENT)
73415-1470	BULK	BRASS/GOLD(PER MILITARY REQUIREMENT)
CECC 22 340	INTERFACE	
PS-89675-1920	ELECTRO/MECH PER.	
SPECIFICATION	DESCRIPTION	

CHG: ADDED -1477 PDR:1421835 REC NO: URF2015-0437 DRAWN: CHENG CHKD: APPR: CHENG 2015/02/10 DESCRIPTION REV	QUALITY SYMBOLS	GENERAL TOLERANCES (UNLESS SPECIFIED)	DIMENSION STYLE	SCALE	DESIGN UNITS	THIRD ANGLE PROJECTION	
	▽=0 ▽=0	mm INCH 4 PLACES ± --- ± --- 3 PLACES ± --- ± --- 2 PLACES ± --- ± --- 1 PLACE ± --- ± --- ANGULAR ± 2 °	MM/IN	METRIC	MML MML MML MML	TEF 2000/01/14 TEF 2000/01/14 TEF 2000/01/14 GMH 2000/01/14	TITLE MMCX JACK, PCB MOUNT 50 OHMS MMCX-J/PCB
		DRAFT WHERE APPLICABLE MUST REMAIN WITHIN DIMENSIONS	SEE TABLE	MATERIAL NO.	DOCUMENT NO.	SHEET NO.	

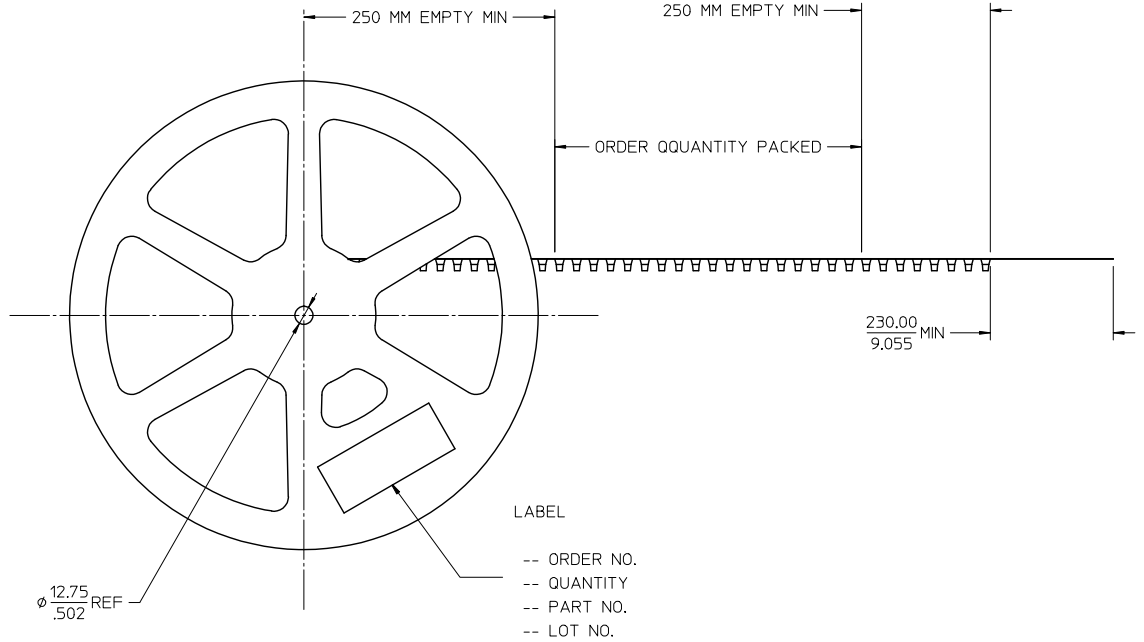
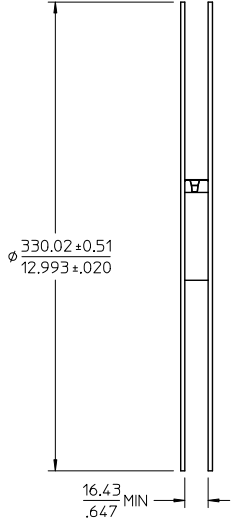
NOTE

DIMENSIONS ARE PROVIDED FOR REFERENCE ONLY



CHG: SEE SHEET 1 EC NO: URF2015-0437 DRAWN: CHENG 2015/02/10 CHKD: APPR: CHENG 2015/02/10	QUALITY SYMBOLS ▽=0 ▽=0	GENERAL TOLERANCES (UNLESS SPECIFIED)		DIMENSION STYLE		SCALE	DESIGN UNITS	THIRD ANGLE PROJECTION
		mm	INCH	MM/IN		METRIC		
REV B10	4 PLACES	±	---	DRAWN BY	DATE	TITLE		
	3 PLACES	±	---	TEF	2000/01/14	MMCX JACK, PCB MOUNT		
	2 PLACES	±	---	CHECKED BY	DATE	50 OHMS		
	1 PLACE	±	---	TEF	2000/01/14	MMCX-J/PCB		
	ANGULAR		± 2 °	APPROVED BY	DATE	MOLEX INCORPORATED		
	DRAFT WHERE APPLICABLE		MUST REMAIN WITHIN DIMENSIONS	GMH	2000/01/14	MATERIAL NO.	DOCUMENT NO.	SHEET NO.
	SEE TABLE							
	SIZE			THIS DRAWING CONTAINS INFORMATION THAT IS PROPRIETARY TO MOLEX INCORPORATED AND SHOULD NOT BE USED WITHOUT WRITTEN PERMISSION				

13" REEL SIZE



LABEL

- ORDER NO.
- QUANTITY
- PART NO.
- LOT NO.

CHG: SEE SHEET 1 EC NO: URF2015-0437 DRAWN: CHENG 2015/02/10 CHKD: APPR: CHENG 2015/02/10 DESCRIPTION REV	QUALITY SYMBOLS	GENERAL TOLERANCES (UNLESS SPECIFIED)	DIMENSION STYLE	SCALE	DESIGN UNITS	THIRD ANGLE PROJECTION
	▽=0 ▽=0	mm INCH 4 PLACES ± --- ± --- 3 PLACES ± --- ± --- 2 PLACES ± --- ± --- 1 PLACE ± --- ± --- ANGULAR ± 2 °	MM/IN	DRAWN BY DATE TEF 2000/01/14 CHECKED BY DATE TEF 2000/01/14 APPROVED BY DATE GMH 2000/01/14	METRIC	TITLE MMCX JACK, PCB MOUNT 50 OHMS MMCX-J/PCB MOLEX INCORPORATED
B10	DRAFT WHERE APPLICABLE MUST REMAIN WITHIN DIMENSIONS	SEE TABLE	MATERIAL NO. DOCUMENT NO. SD-73415-147	THIS DRAWING CONTAINS INFORMATION THAT IS PROPRIETARY TO MOLEX INCORPORATED AND SHOULD NOT BE USED WITHOUT WRITTEN PERMISSION		