

## Excellent Integrated System Limited

Stocking Distributor

Click to view price, real time Inventory, Delivery & Lifecycle Information:

[Molex Connector Corporation](#)  
[0732760022](#)

For any questions, you can email us directly:

[sales@integrated-circuit.com](mailto:sales@integrated-circuit.com)

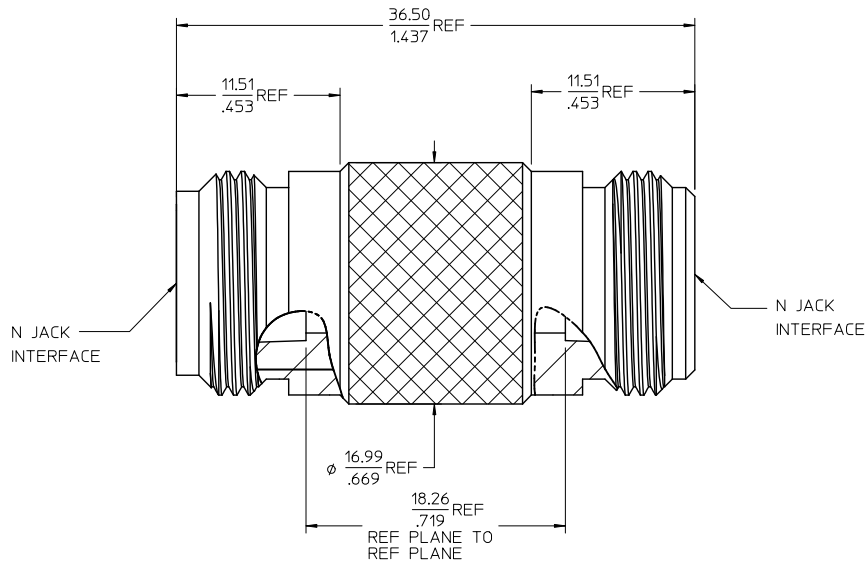
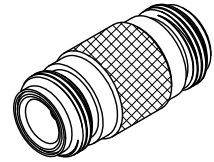
MATERIALS AND FINISHES

BODY BRASS  
PLATED NICKEL

CENTER CONTACT BERYLLIUM COPPER  
PLATED GOLD

INSULATOR TEFLON

OUTER CONTACT BRASS  
PLATED NICKEL



73276-0023	ONE PIECE 73276-0022 PER BAG
73276-0022	BULK
PART NO.	PACKAGING

PS-89675-0940	ELECTRO/MECH PERFORM.
MIL-STD-348A, FIG. 304.2	INTERFACE

CHG: CLARIFIED BAGGING.	EC NO: URF2010-0369	DRAWN BY: DRW: JAROBERTSON	DATE: 2009/12/18	CHKD BY: CHK: JCS	DATE: 2009/12/18	APPR: JMTENER	DATE: 2009/12/18	DESCRIPTION	QUALITY SYMBOLS	GENERAL TOLERANCES (UNLESS SPECIFIED)	DIMENSION STYLE	SCALE	DESIGN UNITS	THIRD ANGLE PROJECTION
											MM/IN		METRIC	<input type="checkbox"/>
									4 PLACES ± --- ± --- 3 PLACES ± --- ± --- 2 PLACES ± --- ± --- 1 PLACE ± --- ± --- ANGULAR ± 2 °	DRAWN BY: JM DATE: 2006/05/31 CHECKED BY: JM DATE: 2006/05/31 APPROVED BY: JDW DATE: 2006/05/31	TITLE: N JACK TO N JACK ADAPTER, 50 OHMS EWR-3117, N-AD/JJ MOLEX INCORPORATED MATERIAL NO. SEE TABLE DOCUMENT NO. SD-73276-002 SHEET NO. 1 OF 1			
DRAFT WHERE APPLICABLE MUST REMAIN WITHIN DIMENSIONS										THIS DRAWING CONTAINS INFORMATION THAT IS PROPRIETARY TO MOLEX INCORPORATED AND SHOULD NOT BE USED WITHOUT WRITTEN PERMISSION				