

## Excellent Integrated System Limited

Stocking Distributor

Click to view price, real time Inventory, Delivery & Lifecycle Information:

[Molex Connector Corporation](#)  
[0732510672](#)

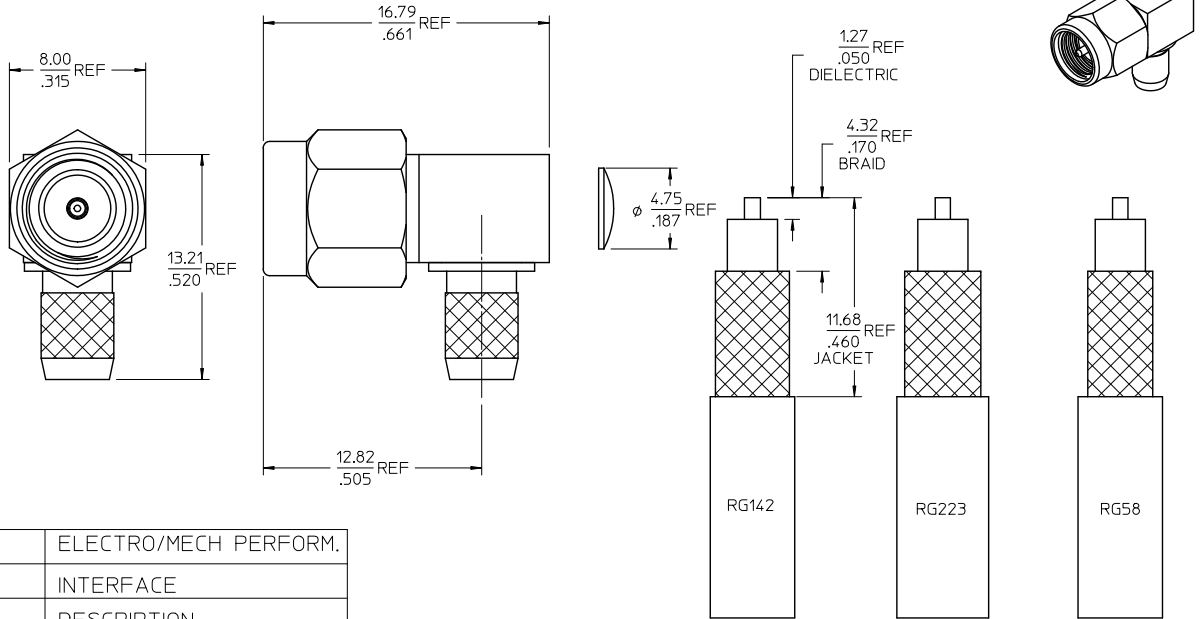
For any questions, you can email us directly:

[sales@integrated-circuit.com](mailto:sales@integrated-circuit.com)

MATERIALS AND FINISHES

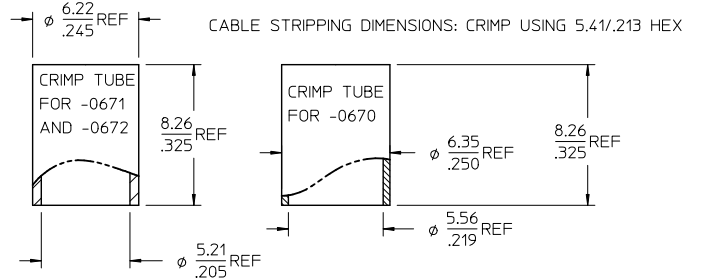
BODY, CAP, C'NUT, CONTACT,  
CRIMP TUBE: BRASS  
PLATED GOLD

INSULATOR: TEFLON



PS-89675-3460	ELECTRO/MECH PERFORM.
MIL-STD-348A, FIG. 310.1	INTERFACE
SPECIFICATION	DESCRIPTION

73251-0672	RG58 / SINGLE BAG
73251-0671	RG58 / BULK PACK
73251-0670	RG55, RG142, RG223 / BULK PACK
PART NO.	CABLE GROUP / PACKAGING



CHG: ADD -0672 PS WAS ES-89675-1190 ADD PACKAGING EC NO: URF202-0421 DRW: JWIENER 2017/01/25 CHK: SSS 2017/01/25 APPR: JWIENER 2017/01/25 A2	QUALITY SYMBOLS ▽=0 ▽=0	GENERAL TOLERANCES (UNLESS SPECIFIED) mm INCH 4 PLACES ± --- ± --- 3 PLACES ± --- ± --- 2 PLACES ± --- ± --- 1 PLACE ± --- ± --- ANGULAR ± 2°	DIMENSION STYLE MM/IN DRAWN BY: GMH DATE: 2001/04/18 CHECKED BY: SSS DATE: 2001/04/18 APPROVED BY: GMH DATE: 2001/04/18	SCALE: METRIC DESIGN UNITS: METRIC THIRD ANGLE PROJECTION	TITLE: SMA PLUG R/A 50 OHM RG58/223 SMA-PC, EWR-1320 MOLEX INCORPORATED	MATERIAL NO. SEE TABLE	DOCUMENT NO. SD-73251-067	SHEET NO. 1 OF 1
		DRAFT WHERE APPLICABLE MUST REMAIN WITHIN DIMENSIONS		THIS DRAWING CONTAINS INFORMATION THAT IS PROPRIETARY TO MOLEX INCORPORATED AND SHOULD NOT BE USED WITHOUT WRITTEN PERMISSION				