

## Excellent Integrated System Limited

Stocking Distributor

Click to view price, real time Inventory, Delivery & Lifecycle Information:

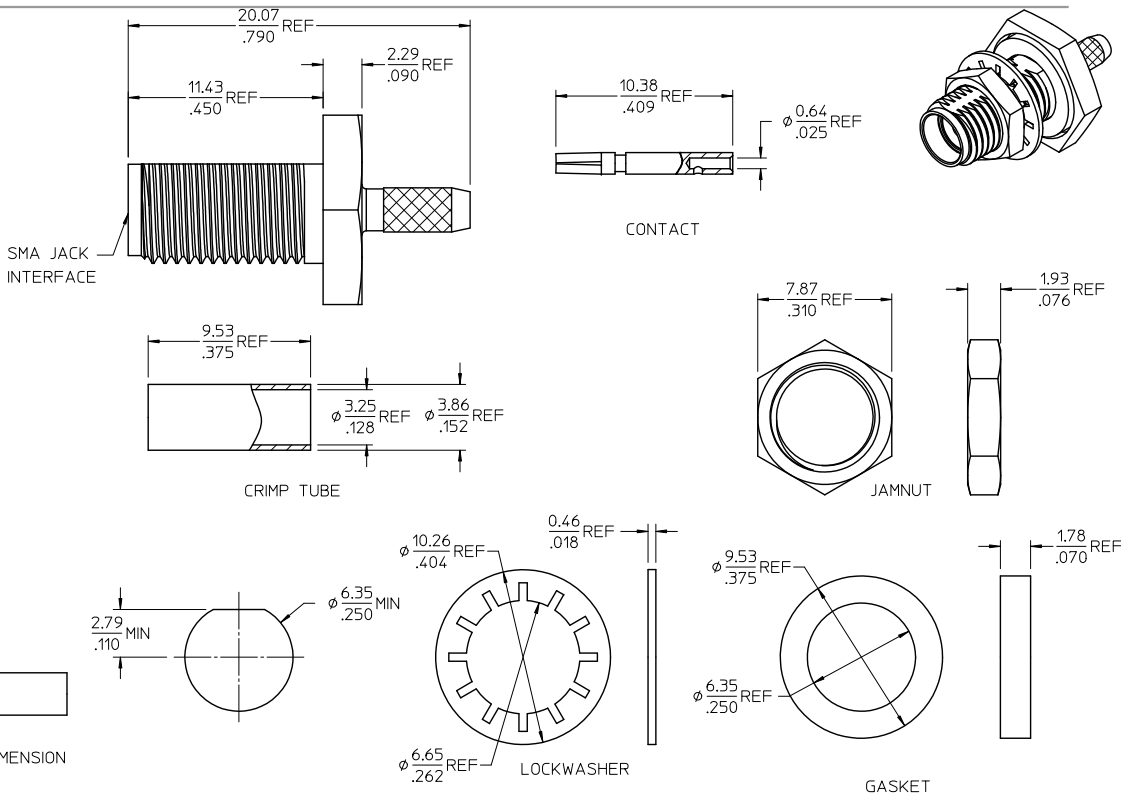
[Molex Connector Corporation](#)  
[0732512172](#)

For any questions, you can email us directly:

[sales@integrated-circuit.com](mailto:sales@integrated-circuit.com)

MATERIALS AND FINISHES:

- BODY BRASS  
PLATED SEE TABLE
- CONTACT BERYLLIUM COPPER  
PLATED GOLD
- INSULATOR TEFLON
- GASKET SILICONE RUBBER
- LOCKWASHER PHOSPHOR BRONZE  
PLATED GOLD
- JAMNUT BRASS  
PLATED GOLD
- CRIMP TUBE BRASS  
PLATED GOLD



73251-2172	73251-2170 PACKAGED IN SINGLE BAGS
73251-2171	GOLD (5 MICROINCHES MIN) / BULK PACK
73251-2170	GOLD (1 MICROINCHES MIN) / BULK PACK
PART NO.	PLATING / PACKAGING

MIL-STD-348A, FIG. 310.2	INTERFACE
SPECIFICATION	DESCRIPTION

CHG: ADD -2172 EC NO: URF2012-0421 DRAWN: JMTENER 2012/01/28 CHKD: SSS 2012/01/28 APPR: JMTENER 2012/01/27	QUALITY SYMBOLS ▽=0 ▽=0	GENERAL TOLERANCES (UNLESS SPECIFIED) mm INCH 4 PLACES ± --- ± --- 3 PLACES ± --- ± --- 2 PLACES ± --- ± --- 1 PLACE ± --- ± --- ANGULAR ± 2 °	DIMENSION STYLE MM/IN	SCALE DESIGN UNITS METRIC	THIRD ANGLE PROJECTION
		DRAFT WHERE APPLICABLE MUST REMAIN WITHIN DIMENSIONS	DRAWN BY DATE SSS 2004/02/10 CHECKED BY DATE TEF 2004/02/10 APPROVED BY DATE GMH 2004/02/10	TITLE SMA JACK, BLKHD, RG316 50 OHM, EWR2051 SMA-JC/BLK	MATERIAL NO. SEE TABLE