

## Excellent Integrated System Limited

Stocking Distributor

Click to view price, real time Inventory, Delivery & Lifecycle Information:

[Molex Connector Corporation](#)  
[0732513152](#)

For any questions, you can email us directly:

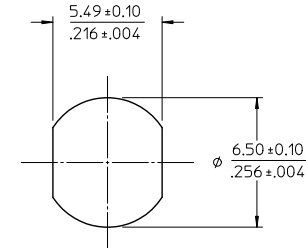
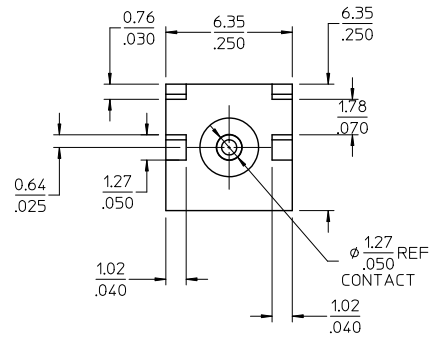
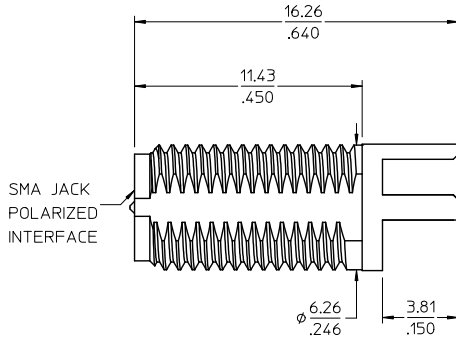
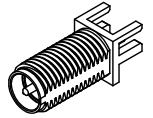
[sales@integrated-circuit.com](mailto:sales@integrated-circuit.com)

MATERIALS AND FINISHES

BODY: BRASS  
PLATED: GOLD

CENTER CONTACT: BRASS  
PLATED: GOLD

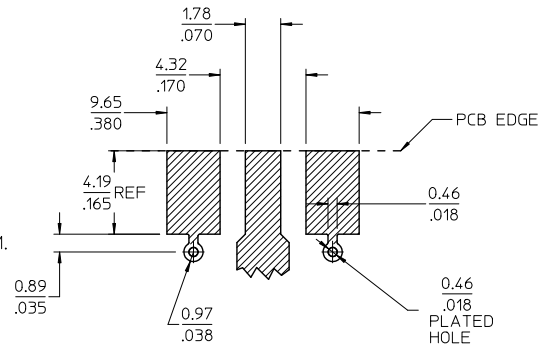
INSULATOR: TEFLON



RECOMMENDED PANEL CUTOUT

RECOMMENDED PAD LAYOUT

BASE WIDTH: 6.35(.250) NOM.  
BOARD THICKNESS: 1.57(.062) NOM.  
BOARD MATERIAL: FR4 W/1.0 OZ  
COPPER BOTH SIDES



PART # 73251-3150

PACKAGING: BULK  
SEE SHEET TWO FOR OTHER PART NUMBERS

CHG: ADD -3152  
EC NO: URF202-0435  
DRAWN: JWIENER 20/01/27  
CHKD: SSS 20/01/27  
APPR: JWIENER 20/01/31

QUALITY SYMBOLS  
▽=0  
▽=0

GENERAL TOLERANCES (UNLESS SPECIFIED)	
mm	INCH
4 PLACES ± .15	± .005
3 PLACES ± .25	± .010
2 PLACES ± .38	± .015
1 PLACE ± .51	± .020
ANGULAR ± 2°	

DIMENSION STYLE	
MM/IN	DATE
DRAWN BY	AZR 2007/01/31
CHECKED BY	SSS 2007/01/31
APPROVED BY	JWIENER 2010/10/27

SCALE	DESIGN UNITS	THIRD ANGLE PROJECTION
	INCH	
TITLE		
SMA JACK POLARIZED EDGE MOUNT, .062 PCB, 50 OHM SMA-J/PCB, EWR-3281		
MATERIAL NO.		SHEET NO.
SEE TABLE		1 OF 2
DOCUMENT NO.		
SD-73251-315		

DRAFT WHERE APPLICABLE MUST REMAIN WITHIN DIMENSIONS

SIZE C

THIS DRAWING CONTAINS INFORMATION THAT IS PROPRIETARY TO MOLEX INCORPORATED AND SHOULD NOT BE USED WITHOUT WRITTEN PERMISSION

MATERIALS AND FINISHES

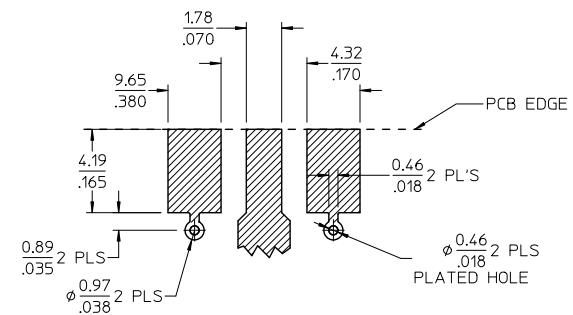
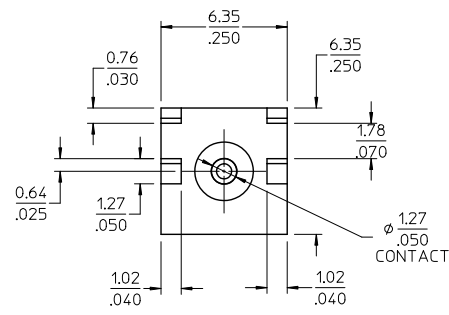
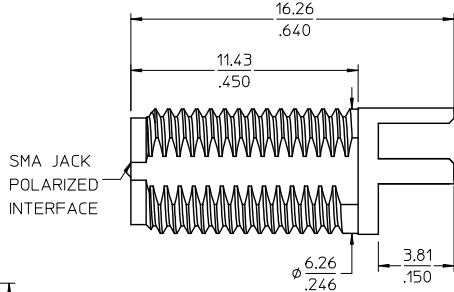
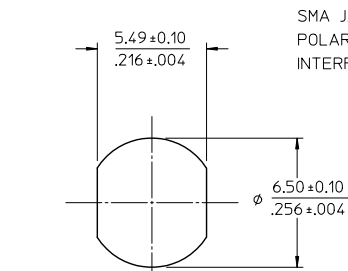
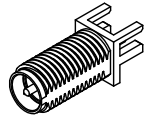
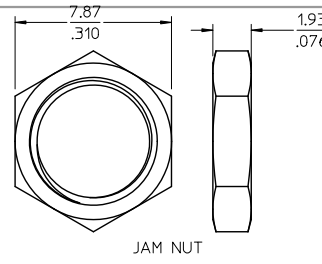
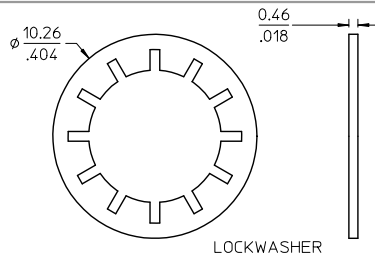
BODY: BRASS  
PLATED: GOLD

CENTER CONTACT: BRASS  
PLATED: GOLD

INSULATOR: TEFLON

JAM NUT: BRASS  
PLATED: GOLD

LOCKWASHER: PHOSPHOR BRONZE  
PLATED: GOLD



RECOMMENDED PANEL CUTOUT

RECOMMENDED PAD LAYOUT

BASE WIDTH: 6.35(.250) NOM.  
BOARD THICKNESS: 1.57(.062) NOM.  
BOARD MATERIAL: FR4 W/1.0 OZ  
COPPER BOTH SIDES

73251-3152	ONE PER BAG
73251-3151	BULK
PART NO.	PACKAGING

CHG: SEE SHEET 1 EC NO: UNF2012-0435 DRAWN: JWIENER CHKD: SSS APPR: JWIENER	DATE: 2012/01/27 DATE: 2012/01/27 DATE: 2012/01/27	DESCRIPTION	QUALITY SYMBOLS ▽=0 ▽=0	GENERAL TOLERANCES (UNLESS SPECIFIED)		DIMENSION STYLE MM/IN		SCALE	DESIGN UNITS INCH	THIRD ANGLE PROJECTION
				mm	INCH	DRAWN BY AZR	DATE 2007/01/31	TITLE SMA JACK POLARIZED EDGE MOUNT, .062 PCB, 50 OHM SMA-J/PCB, EWR-3281		
A1	REV	DRAFT WHERE APPLICABLE MUST REMAIN WITHIN DIMENSIONS	SEE TABLE	MATERIAL NO.		DOCUMENT NO.		SHEET NO.		
				SD-73251-315		2 OF 2				