

Excellent Integrated System Limited

Stocking Distributor

Click to view price, real time Inventory, Delivery & Lifecycle Information:

[Molex Connector Corporation](#)
[0731713231](#)

For any questions, you can email us directly:

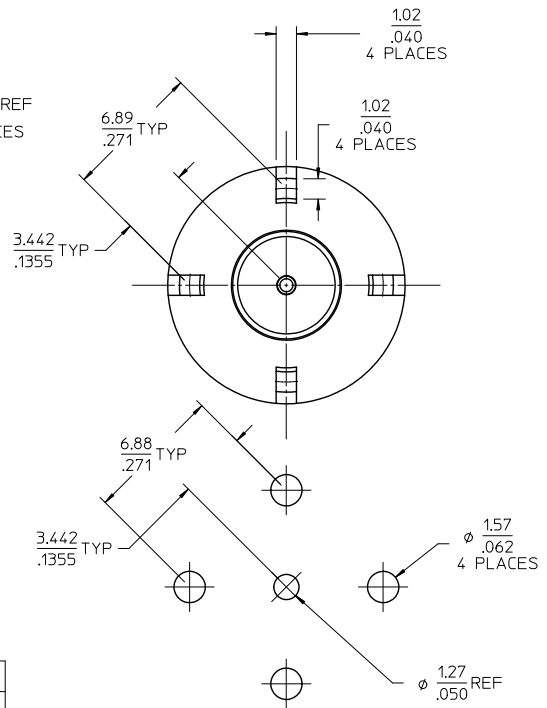
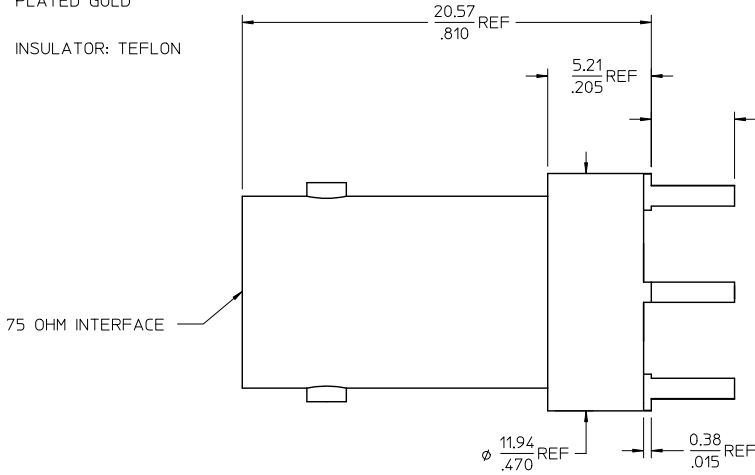
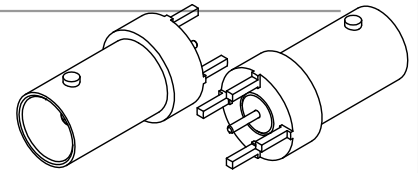
sales@integrated-circuit.com

MATERIALS AND FINISHES

BODY, PRESS RING: BRASS
PLATED NICKEL

CONTACT: BERYLLIUM COPPER
PLATED GOLD

INSULATOR: TEFLON



RECOMMENDED PCB LAYOUT

73171-3231	ONE PER BAG
73171-3230	TRAY
PART NO.	PACKAGING

PS-89675-2020	PRODUCT SPECIFICATION
SPECIFICATION	DESCRIPTION

CHG: ADD -3231 EC NO: URF2011-0572 DRAWN: JWIENER 2/11/03/30 CHKD: SSS 2/11/03/30 APPR: JWIENER 2/11/04/01 REV B2	QUALITY SYMBOLS ▽=0 ▽=0	GENERAL TOLERANCES (UNLESS SPECIFIED)		DIMENSION STYLE MM/IN		SCALE	DESIGN UNITS	THIRD ANGLE PROJECTION
		4 PLACES ± --- ± --- 3 PLACES ± --- ± --- 2 PLACES ± --- ± --- 1 PLACE ± --- ± --- ANGULAR ± 2°	DRAWN BY AZR CHECKED BY SSS APPROVED BY JDW	DATE 2007/05/29 DATE 2007/05/29 DATE 2007/05/29	TITLE	MATERIAL NO.	DOCUMENT NO.	SHEET NO.
DRAFT WHERE APPLICABLE MUST REMAIN WITHIN DIMENSIONS		SEE TABLE		SD-73171-323		BNC JACK PCB 3GHZ 75 OHM VERTICAL BNC-J/PCB, EWR-3355 MOLEX INCORPORATED 1 OF 1		