

## Excellent Integrated System Limited

Stocking Distributor

Click to view price, real time Inventory, Delivery & Lifecycle Information:

[Molex Connector Corporation](#)  
[0732162241](#)

For any questions, you can email us directly:

[sales@integrated-circuit.com](mailto:sales@integrated-circuit.com)

MATERIALS AND FINISHES:

BODY FRONT, CAP, JAM NUT: BRASS  
PLATED: NICKEL (100μ-in MIN)

BODY REAR: BRASS  
PLATED: TIN (150μ-in MIN)

CONTACT: BRASS  
PLATED: GOLD (10μ-in MIN)

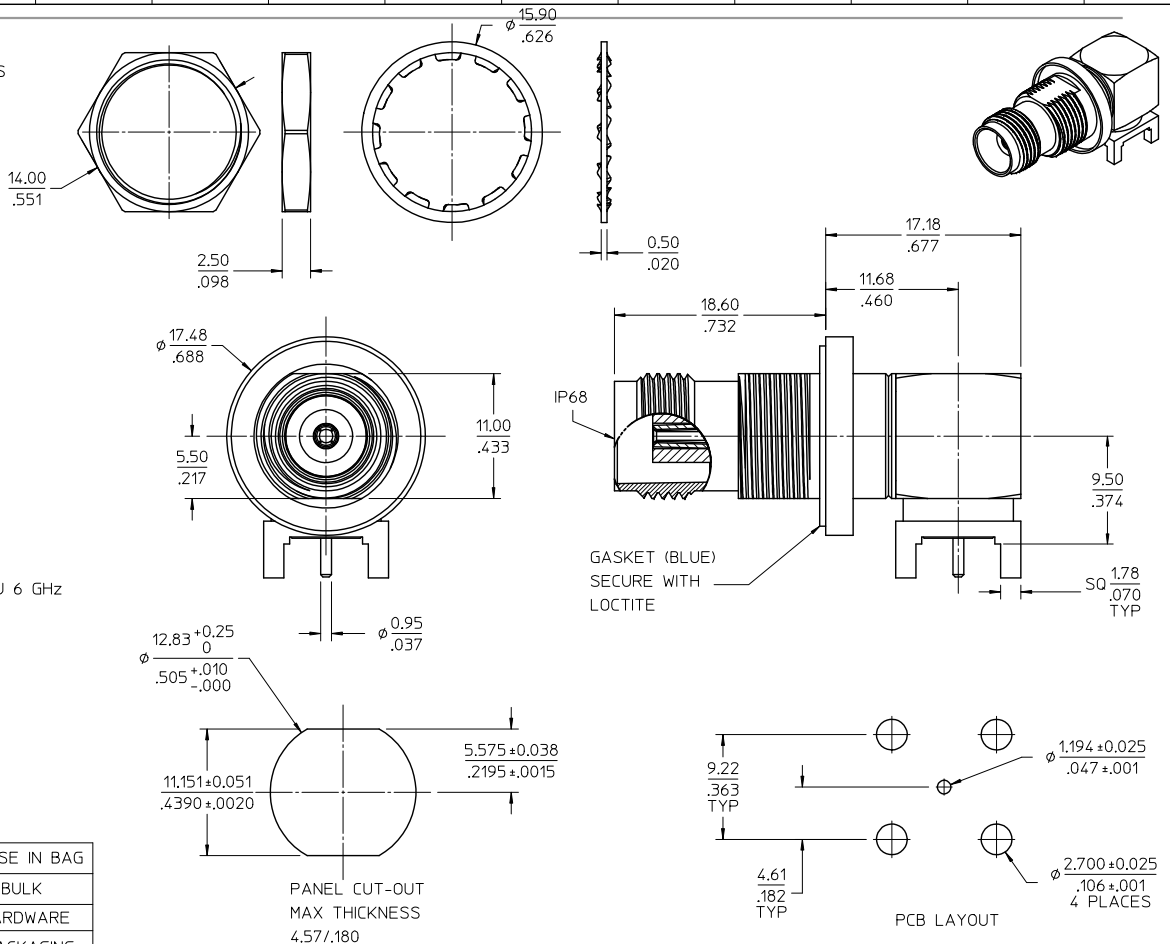
INSULATOR: TEFLON

GASKET: SILICONE RUBBER

LOCK WASHER: PHOSPHOR BRONZE  
PLATED: NICKEL (10μ-in MIN)

ELECTRICAL PERFORMANCE:

1.30 VSWR MAX THROUGH 6 GHz  
0.25 dB MAX INSERTION LOSS THRU 6 GHz



73216-2241	ONE PER BAG	LOOSE IN BAG
73216-2240	BULK	BULK
PART NO.	PACKAGING	HARDWARE
		PACKAGING

CHG: ADDED 9.50 MM DIMENSION TO FRONT. ADD PLATING THICKNESSES EC NO: URF2016-0083 DRW: BHARADWAJ 2015/08/20 CHK: DILLI 2015/08/20 APPR: ROBERTSON 2015/08/28 DESCRIPTION:	QUALITY SYMBOLS	GENERAL TOLERANCES (UNLESS SPECIFIED)	DIMENSION STYLE	SCALE	DESIGN UNITS	THIRD ANGLE PROJECTION
	▽=0 ▽=0	mm INCH 4 PLACES ± --- ± --- 3 PLACES ± --- ± --- 2 PLACES ± --- ± --- 1 PLACE ± --- ± --- ANGULAR ± 2°	MM/IN	METRIC	TNC JACK RA BULKHEAD IP68 PCB TH TNC-J/PCB_EWR-4151	MOLEX INCORPORATED SD-73216-224
	DRAFT WHERE APPLICABLE MUST REMAIN WITHIN DIMENSIONS	SEE TABLE	MATERIAL NO.	DOCUMENT NO.	SHEET NO.	1 OF 1
	THIS DRAWING CONTAINS INFORMATION THAT IS PROPRIETARY TO MOLEX INCORPORATED AND SHOULD NOT BE USED WITHOUT WRITTEN PERMISSION					