

Excellent Integrated System Limited

Stocking Distributor

Click to view price, real time Inventory, Delivery & Lifecycle Information:

[Molex Connector Corporation](#)
[0732761501](#)

For any questions, you can email us directly:

sales@integrated-circuit.com

MATERIALS AND FINISHES:
 BODY, CRIMP TUBE: BRASS
 PLATED: NICKEL (100μ-in MIN)

JAM NUT : BRASS
 PLATED: NICKEL (70μ-in MIN)

CENTER CONTACT: BERYLLIUM COPPER
 PLATED: SEE TABLE
 OVER NICKEL (100μ-in MIN)

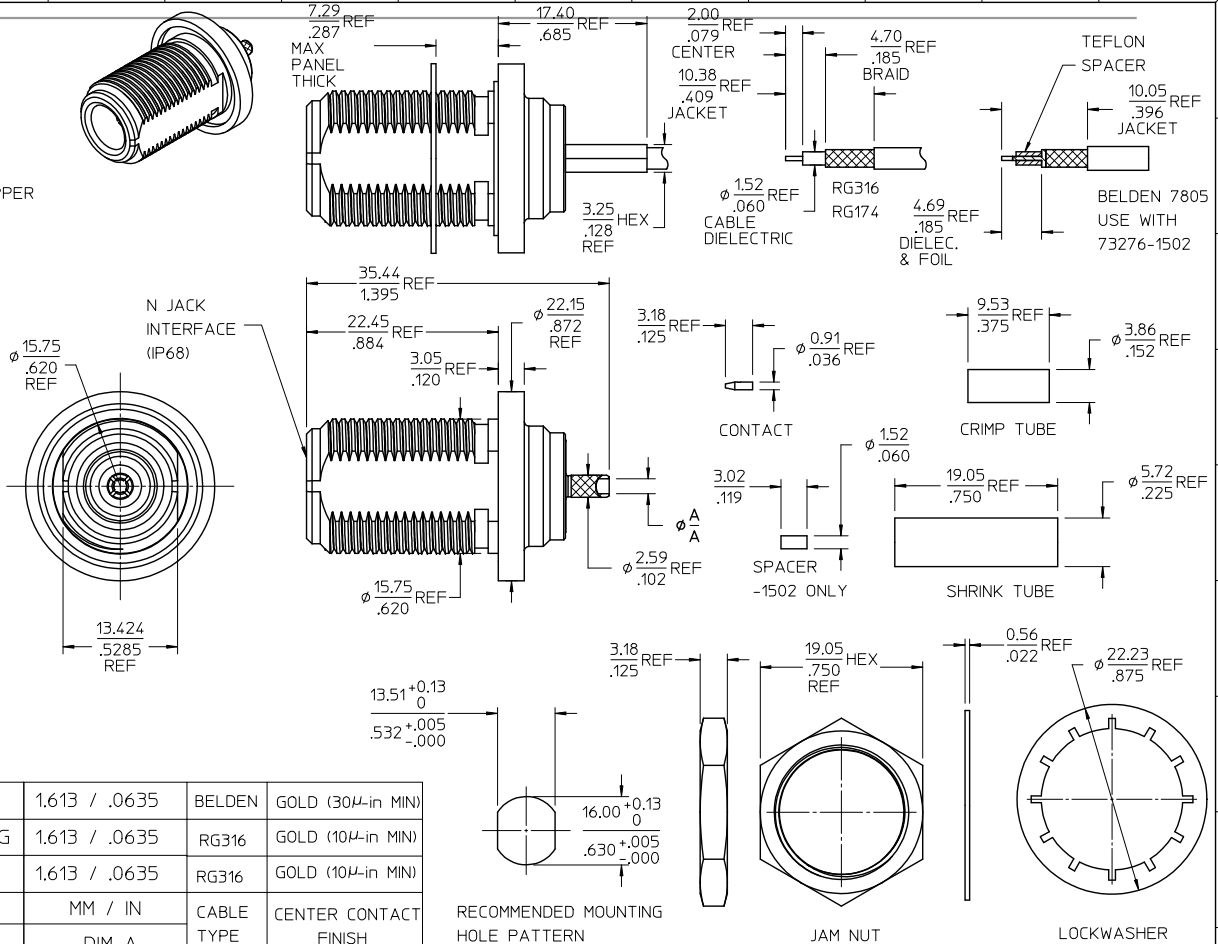
CABLE CONTACT: BRASS
 PLATED: GOLD (10μ-in MIN)
 OVER NICKEL (100μ-in MIN)

LOCKWASHER: PHOSPHOR BRONZE
 PLATED: NICKEL (100μ-in MIN)

INSULATOR, SPACER: PTFE

GASKET: SILICONE RUBBER

SHRINK TUBE: VERSAFIT 3/16-0



73276-1502	BULK	1.613 / .0635	BELDEN	GOLD (30μ-in MIN)
73276-1501	ONE PER BAG	1.613 / .0635	RG316	GOLD (10μ-in MIN)
73276-1500	BULK	1.613 / .0635	RG316	GOLD (10μ-in MIN)
PART NO.	PACKAGING	MM / IN	CABLE TYPE	CENTER CONTACT FINISH
		DIM A		

MIL-STD-348B, FIG. 304.1	INTERFACE
SPECIFICATION	DESCRIPTION

CHG. UPD VIEWS FOR BODY DESIGN CHANGE UPD MAT & FINISH NOTES: TABULATED CENTER CONTACT FINISH
 EC NO: URF2016-0824 2016/06/08
 DRAWN: SIM1102 2016/06/08
 CHK: D88B 2016/06/08
 APPR: ARBERTSON 2016/06/23
 B2

QUALITY SYMBOLS
 ▽=0
 ▽=0

GENERAL TOLERANCES (UNLESS SPECIFIED)

	mm	INCH
4 PLACES ±	---	---
3 PLACES ±	---	±.010
2 PLACES ±	±0.25	---
1 PLACE ±	---	---

 ANGULAR ± 2°
 DRAFT WHERE APPLICABLE MUST REMAIN WITHIN DIMENSIONS

DIMENSION STYLE: MM/IN
 DRAWN BY: SSS DATE: 2008/01/15
 CHECKED BY: AZR DATE: 2008/01/15
 APPROVED BY: JDW DATE: 2008/01/15
 MATERIAL NO.: SEE TABLE
 DOCUMENT NO.: SD-73276-150

SCALE: DESIGN UNITS: INCH
 THIRD ANGLE PROJECTION
 N JACK IP68 BLKHD RM
 RG316 BELDEN 7805
 EWR-3517 N-JC/BLK
 MOLEX INCORPORATED
 SHEET NO. 1 OF 1