

## Excellent Integrated System Limited

Stocking Distributor

Click to view price, real time Inventory, Delivery & Lifecycle Information:

[Molex Connector Corporation](#)  
[0732760161](#)

For any questions, you can email us directly:

[sales@integrated-circuit.com](mailto:sales@integrated-circuit.com)

MATERIALS AND FINISHES

BODY, CRIMP TUBE BRASS  
PLATED SEE TABLE

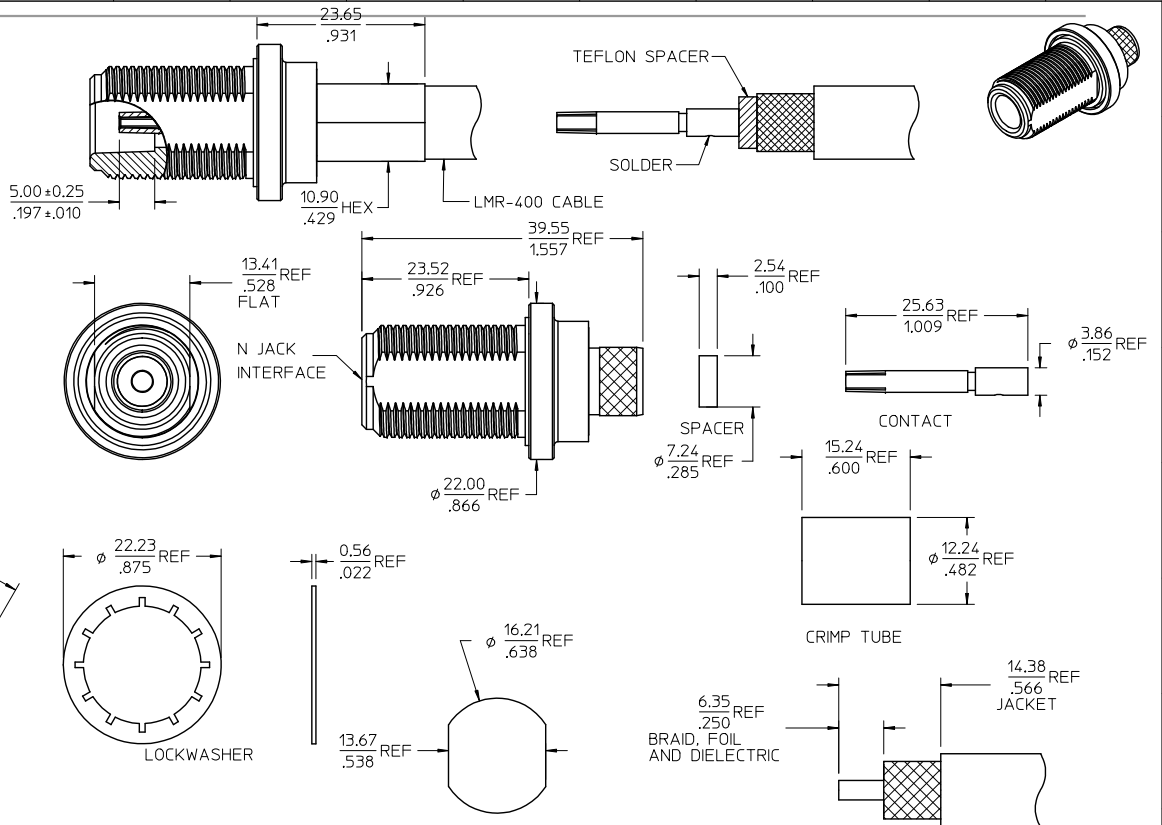
CENTER CONTACT BERYLLIUM COPPER  
PLATED GOLD

INSULATOR, SPACER TEFLON

GASKET SILICONE RUBBER

LOCKWASHER PHOSPHOR BRONZE  
PLATED SEE TABLE

JAMNUT BRASS  
PLATED SEE TABLE



RECOMMENDED PANEL LAYOUT  
MAX PANEL THK. 6.35(.250)  
RECOMMENDED MOUNTING TORQUE  
2.26 N-m(20 IN-LBS) MAX

RECOMMENDED STRIP DIMENSIONS

73276-0161	NICKEL
73276-0160	SILVER
PART NUMBER	PLATING
MIL-STD-348A, FIG. 304-2	INTERFACE
SPECIFICATION	DESCRIPTION

CHG: UPDATED VIEW OF REVISED REAR BODY. EC NO: URF2013-0717 2013/06/24 DRW: JWIENER 2013/06/24 CHK: JSS 2013/06/24 APPR: JWIENER 2013/06/25 REV DESCRIPTION	QUALITY SYMBOLS	GENERAL TOLERANCES (UNLESS SPECIFIED)	DIMENSION STYLE	SCALE	DESIGN UNITS	THIRD ANGLE PROJECTION	
	▽=0 ▽=0	4 PLACES ± mm ± INCH 3 PLACES ± mm ± INCH 2 PLACES ± mm ± INCH 1 PLACE ± mm ± INCH ANGULAR ± 2°	MM/IN	METRIC			
		DRAFT WHERE APPLICABLE MUST REMAIN WITHIN DIMENSIONS	SEE TABLE				
			DRAWN BY DATE EDC 1998/05/06 CHECKED BY DATE NB J 1998/05/14 APPROVED BY DATE JWIENER 2010/05/03		TITLE N JACK STR BKHD LMR 400 CABLE, EWR-3217.50 OHMS N-JC MOLEX MOLEX INCORPORATED DOCUMENT NO. SD-73276-016 SHEET NO. 1 OF 1		