

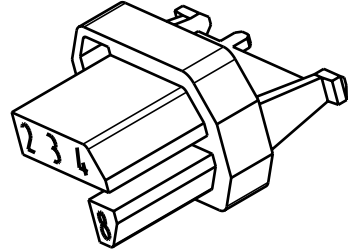
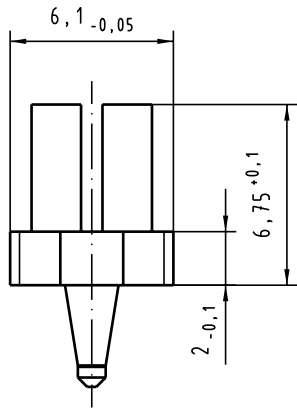
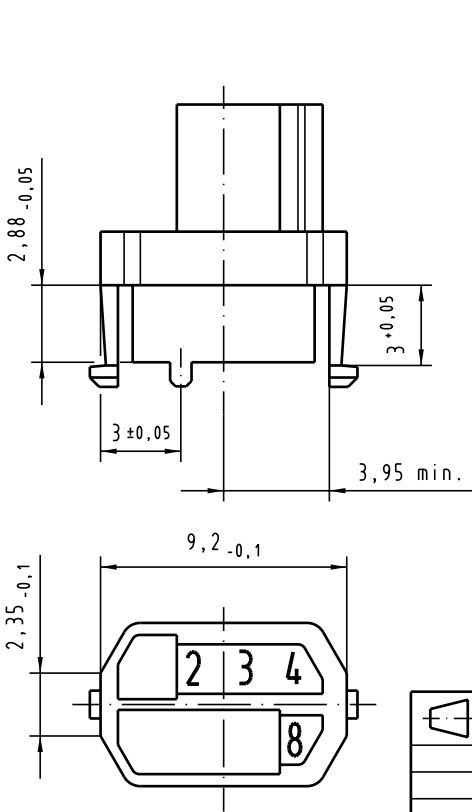
Excellent Integrated System Limited

Stocking Distributor

Click to view price, real time Inventory, Delivery & Lifecycle Information:

[Harting](#)
[1779000025](#)

For any questions, you can email us directly:
sales@integrated-circuit.com



Farbe: RAL 5007 (Brilliantblau)
colour: RAL 5007 (brilliant blue)

All Dimensions in mm Original Size DIN A 4			Techn. Character.			Nicht lotierte Nadel Free size tolerances IEC 61076-4-101	
Mod.	Dat.	Name	Dat.	Name	Maßstab/Scale	har-bus HM Kodiereinsatz (Code-Nr. 2348) für Federleiste har-bus HM coding key (code-no. 2348) for female connector	
31206	11.09.02	Hage	Detail.	30.09.99	Hm	5:1	
26904	10.11.99	Hm	Insp.	30.09.99	Ko		
26858			Stand.				
			HARTING Electronics GmbH & Co. KG D-32339 ESPELKAMP			TB 17 79 000 0025	
						Sub.	Blatt / page

