

Excellent Integrated System Limited

Stocking Distributor

Click to view price, real time Inventory, Delivery & Lifecycle Information:

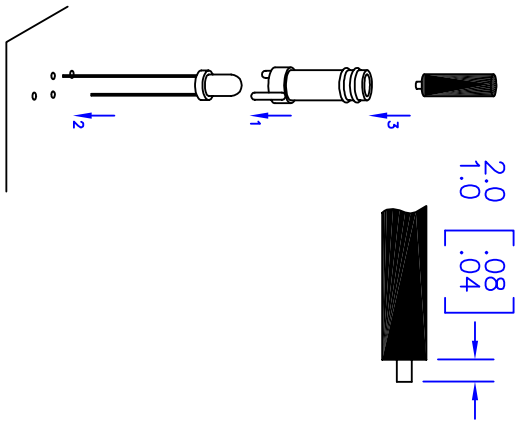
[Industrial Fiber Optics, Inc.](#)
[51 0421](#)

For any questions, you can email us directly:

sales@integrated-circuit.com

© COPYRIGHT 2009 BY INDUSTRIAL FIBER OPTICS, INC.
ALL RIGHTS RESERVED.

LIGHT PIPE
PREPARATION/INSTALLATION:



NOTES:

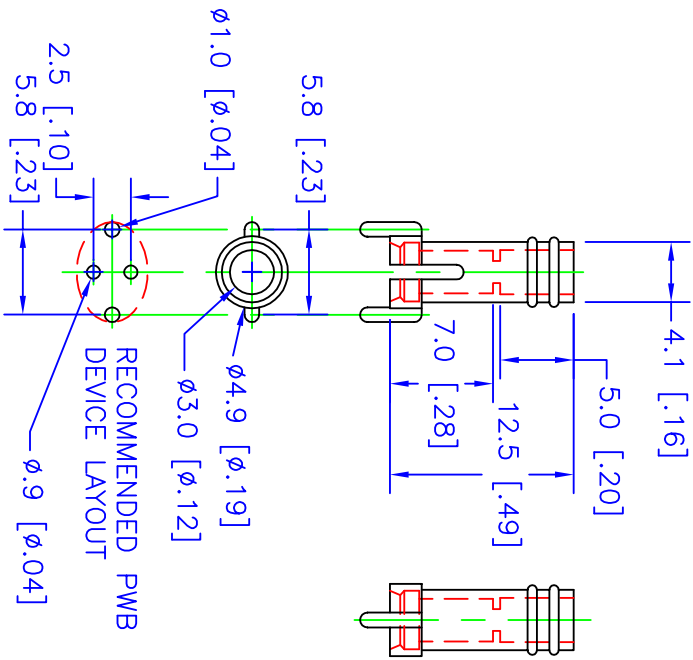
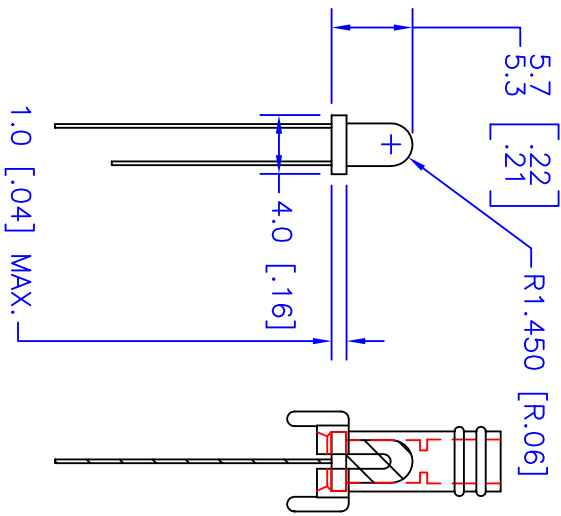
1. ROHS COMPLIANT
2. UL 94V-2 FLAMMABILITY RATING
3. -40°C TO 85°C OPERATING TEMPERATURE
4. SUITABLE FOR LIGHT PIPE WITH $\phi 3.0\text{mm}$ JACKET AND OPTICAL CORE NO GREATER THAN $\phi 1.5\text{mm}$
5. DO NOT WAVE SOLDER WITH THIS DEVICE
6. FOR BEST RESULTS USE ONLY NARROW VIEWING ANGLE NON-DIFFUSED LEDS WITH OUTPUT POWER GREATER THAN 100mcd
7. NOT RECOMMENDED FOR DATA COMMUNICATIONS



METRIC

REV	DESCRIPTION	ECO	DATE	DWN	APVD
C	REVISED STRIP LENGTH FROM 1.0[.05]	0034	09/17/09	BB	KS

REVISIONS



PART IS MADE OF BLACK NYLON.

UNLESS OTHERWISE SPECIFIED	PRODUCT	INDUSTRIAL FIBER OPTICS
DIMENSIONS MILLIMETERS [IN.]	LIGHT PIPE	TEMPE, AZ 85281
TOLERANCES	MATERIAL NYLON 66	NAME
0 PLC: ± 1	FINISH NONE	MOUNT, VERTICAL LED
1 PLC: ± 0.25	DRAWN BY B. BIDWELL	TO LIGHT PIPE
2 PLC: ± 0.127	DATE 11/12/08	SIZE SCALE 2:1
3 PLC: ± 0.025	CHECKED BY K. STOTZ	PART NUMBER 51 0321
4 PLC: ± 0.013	DATE 09/17/09	DO NOT SCALE DRAWING
ANGLE: $\pm 1/2^\circ$		SHEET 1 OF 1
REMOVE BURRS AND SHARP EDGES		REV C
FLATNESS .005 MM PER MM		
ALL DIMENSIONS AFTER FINISH		