

## Excellent Integrated System Limited

Stocking Distributor

Click to view price, real time Inventory, Delivery & Lifecycle Information:

[Finisar Corporation](#)

[FDB-1042](#)

For any questions, you can email us directly:

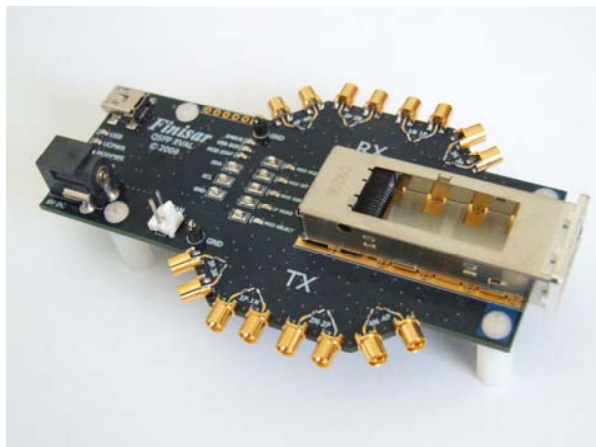
[sales@integrated-circuit.com](mailto:sales@integrated-circuit.com)

# *Finisar*

## Product Specification

### QSFP+ Evaluation Board

#### FDB-1042



Finisar's FDB-1042 QSFP+ Evaluation Board is designed for testing and evaluating the QSFP+ transceiver and Quadwire™ Active Optical Cables.

The board consists of a single QSFP+ edge connector and QSFP+ cage assembly, sixteen 50-ohm SMP coaxial connectors (J1-J16) for the high-speed differential transmitter input and receiver output signals, and test points with LED's for monitoring the following QSFP+ and Evaluation Board pins:

- Module Select
- Module Reset
- SM Bus
- USB Bus
- Module Low Power Mode
- Module Interrupt
- Module Present
- Module Status

The I2C pins (SDA, SCL and GND) have tap points available on top of the Evaluation Board while there are three taps on the bottom that are for loading the FW to the microprocessor (for internal use only). The Evaluation Board has LED's for the USB, Microcontroller Power, Module Power and External Power as well. It is compatible with all MSA compliant QSFP+ transceivers.

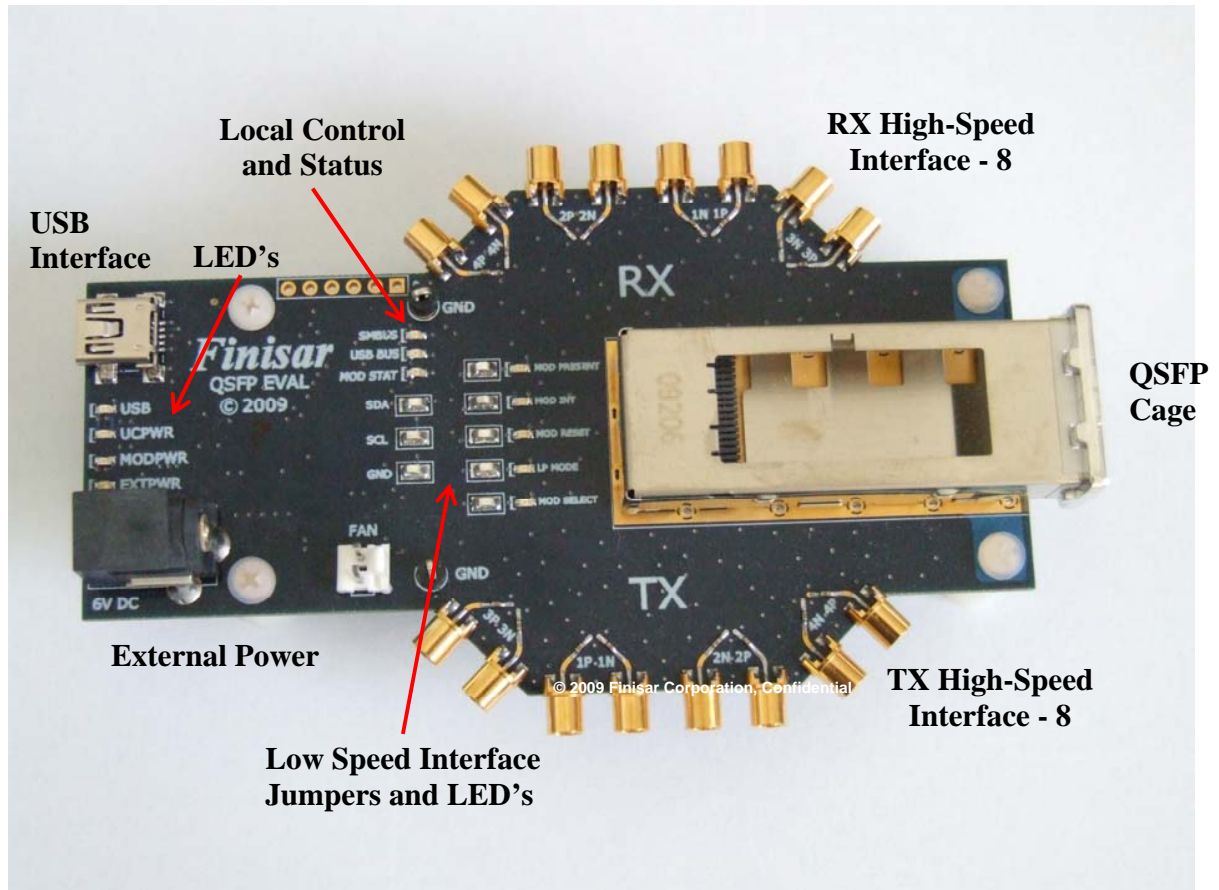
Software that will provide additional functionality is planned to be added at a later date.

It is recommended that the switch (underneath the Evaluation Board) be set to 1000 as the default setting. However, the user is free to change this at any time.

#### **SPECIFICATIONS**

The FDB-1042 QSFP+ Evaluation Board is powered by a supply voltage of 6V (positive center) at 2A from the 100V-240VAC, 50-60Hz adaptor (included with the purchase of the board).

# Finisar



Finisar Corporation  
1389 Moffett Park Drive  
Sunnyvale, CA 94089-1134  
Tel. 1-408-548-1000  
Fax 1-408-541-6138  
[sales@finisar.com](mailto:sales@finisar.com)  
[www.finisar.com](http://www.finisar.com)