

Excellent Integrated System Limited

Stocking Distributor

Click to view price, real time Inventory, Delivery & Lifecycle Information:

[Wurth Electronics Inc](#)
[82402304](#)

For any questions, you can email us directly:

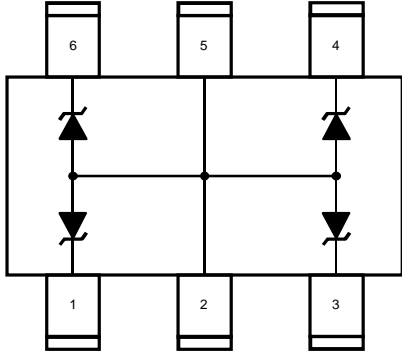
sales@integrated-circuit.com

Specification for release

Customer : _____
 Ordercode: **82402304**
 Description: **TVS Diode Array WE-TVS**
 Package: **SOT23-6L**



DATUM / DATE : 2010-01-27

A Features:	B Schematic and Pin Configuration:
<ul style="list-style-type: none"> ESD Protection for 4 Lines - unidirectional Provide ESD Protection for each line to IEC 61000-4-2 (ESD) ±15kV (air), ±8kV (contact) IEC 61000-4-4 (EFT) 35A (5/50ns) IEC 61000-4-5 (Lightning) 6A (8/20µs) Below 5V operating voltage: 2.5 - 3.3 - 4.2 - 5.0V Array of surge rated equivalent TVS diodes <p>Mechanical Characteristics:</p> <ul style="list-style-type: none"> JEDEC SOT23-6L Package Molding compound flammability rating: UL94V-0 Packaging: Tape & Reel 	

C Absolute Maximum Ratings:	Symbol	Rating	Unit
Peak Pulse Current (tp = 8/20µs)	I_{PP}	6	A
ESD per IEC 61000-4-2 (Air / Contact)	V_{ESD}	16 / 10	kV
Operating Temperature	T_{Op}	-55 to +85	°C
Storage Temperature	T_{Sto}	-20 to +60	°C

D Electrical Characterisitcs:					
Properties	Test Conditions	Value min	Value typ	Value max	Unit
V_{RWM}	Pin 1,3,4,6 to pin 2,5			5	V
V_{BV}	$I_{BV}=1mA$, pin 1,3,4,6 to pin 2,5	6.0			V
I_R	$V_{RWM}=5V$, pin 1,3,4,6 to pin 2,5			2.5	µA
V_F	$I_F = 15mA$, pin 2,5 to pin 1,3,4,6	0.6	0.8	1	V
V_C	$I_{PP}=5A$, tp=8/20µs, pin 1,3,4,6 to 2,5		6.8		V
V_{Cl}	$I_{TLP} = 17A$, pin 1,3,4,6 to pin 2,5		8.5		V
C_{IN}	$V_{IO}=0V$, f=1MHz, pin 1,3,4,6 to 2,5		13	17	pF

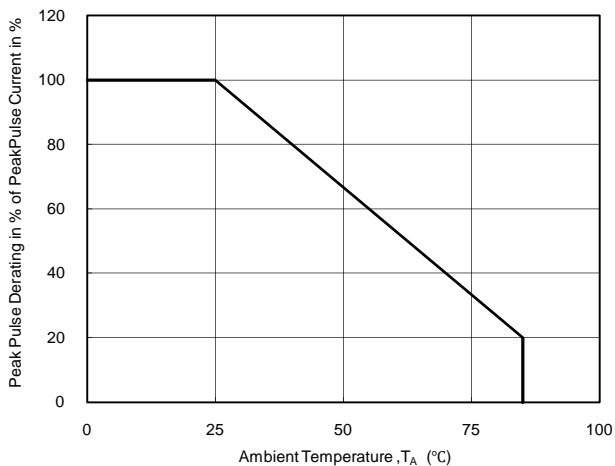
Specification for release

Customer : _____
 Ordercode: **82402304**
 Description : **TVS Diode Array WE-TVS**
 Package: **SOT23-6L**

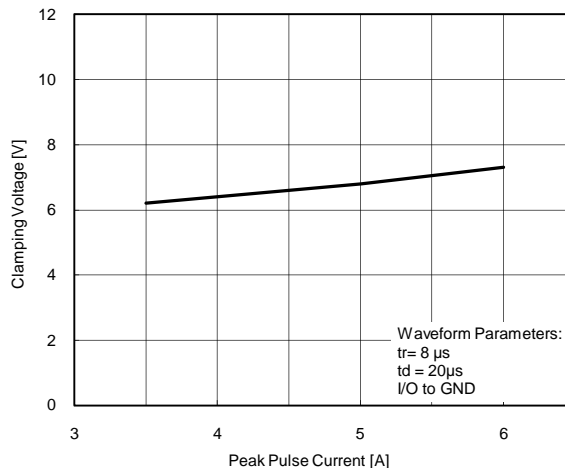


DATUM / DATE : 2010-01-27

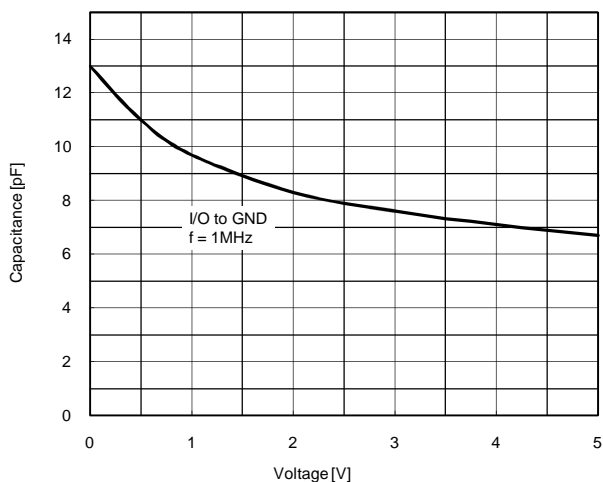
E Typical Characteristics:



Power Derating Curve



Clamping Voltage vs. Peak Pulse Current



Variation of C_{10} vs. V_{10}

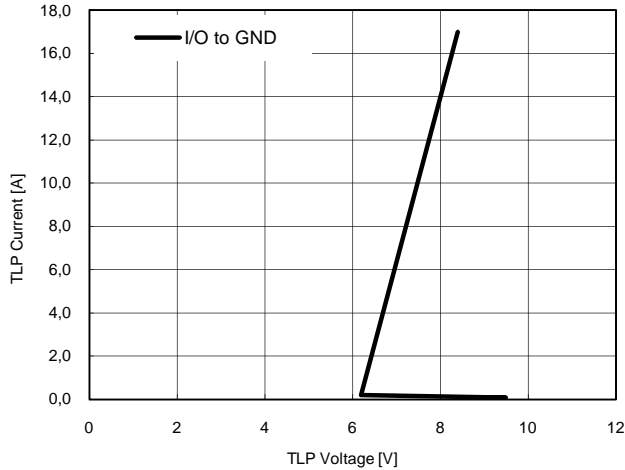
Specification for release

Customer : _____
 Ordercode: **82402304**
 Description : **TVS Diode Array WE-TVS**
 Package: **SOT23-6L**

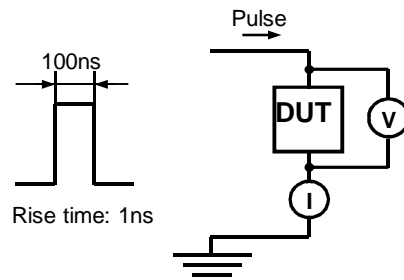


DATUM / DATE : 2010-01-27

E Typical Characteristic:

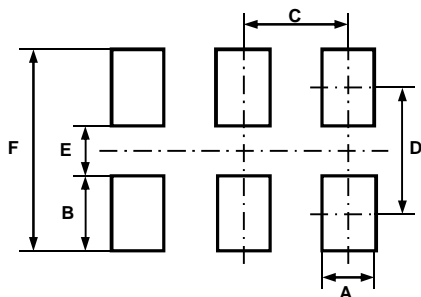


Transmission Line Pulsing (TLP) Measurement



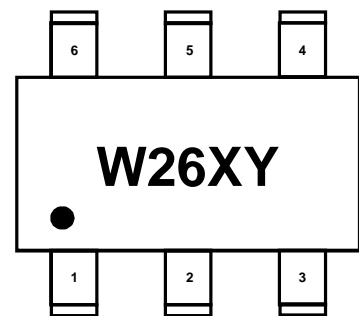
Transmission Line Pulsing System

F Recommended Land Layout:



A	0.60	mm
B	1.10	mm
C	0.95	mm
D	2.50	mm
E	1.40	mm
F	3.60	mm

G Body Marking:



W26: Device Code

X: Date Code

Y: Control Code

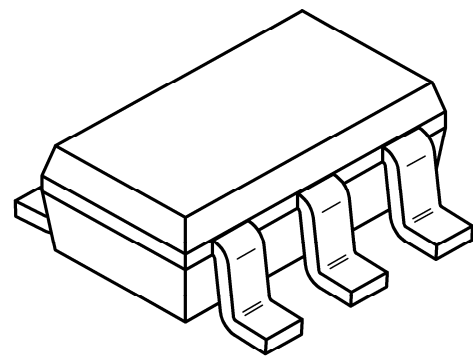
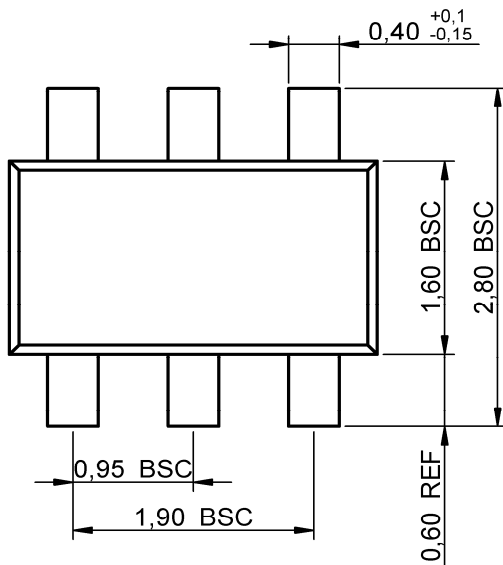
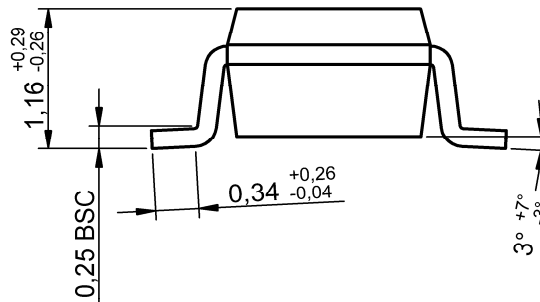
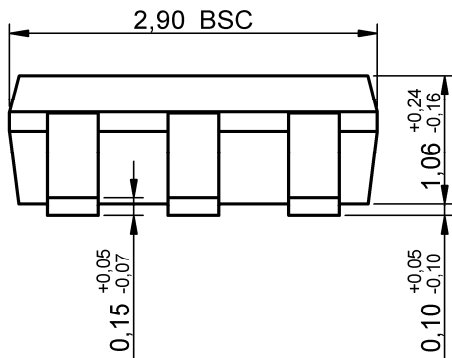
Specification for release

Customer : _____
 Ordercode: **82402304**
 Description : **TVS Diode Array WE-TVS**
 Package: **SOT23-6L**



DATUM / DATE : 2010-01-27

H Dimensions:



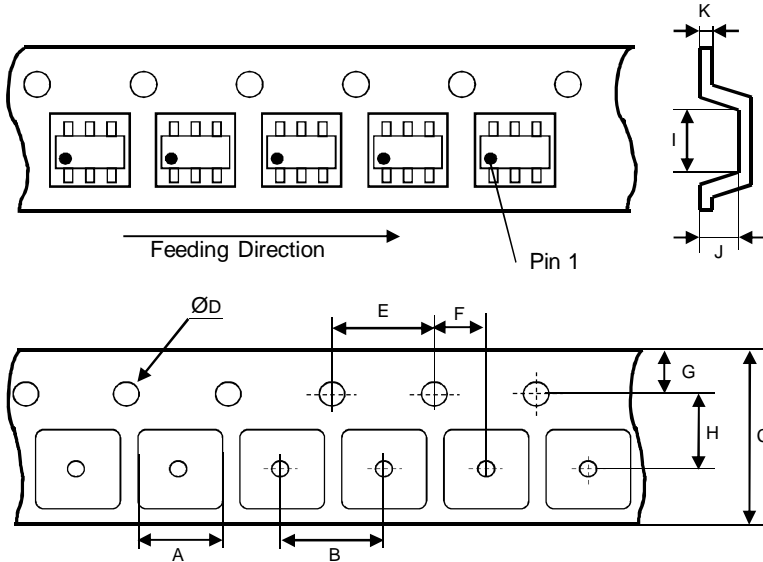
Scale - 10:1

Specification for release

Customer : _____
 Ordercode: **82402304**
 Description : **TVS Diode Array WE-TVS**
 Package: **SOT23-6L**

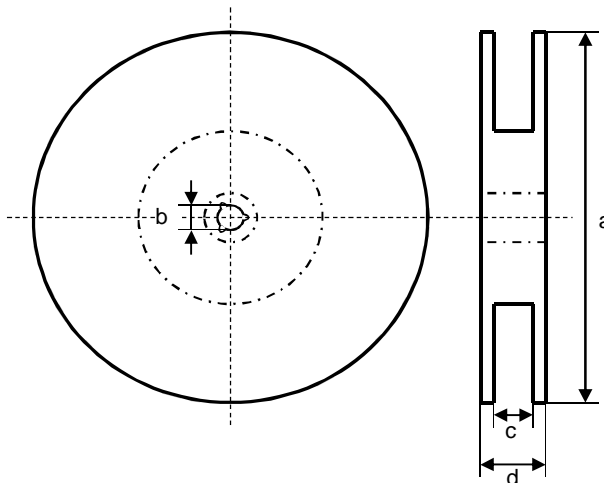


I Tape:

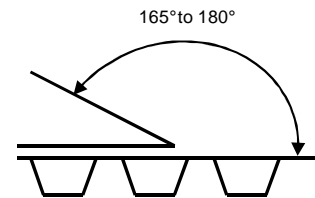


A	3.15 ± 0.15	mm
B	4.00 ± 0.10	mm
C	8.00 ± 0.20	mm
D	1.55 ± 0.05	mm
E	4.00 ± 0.10	mm
F	2.00 ± 0.05	mm
G	1.75 ± 0.10	mm
H	3.50 ± 0.05	mm
I	3.25 ± 0.15	mm
J	1.35 ± 0.15	mm
K	0.25 ± 0.02	mm

J Reel:



a	178.0 ± 2.0	mm
b	13.0 ± 0.8	mm
c	10.0 ± 1.5	mm
d	12.5 ± 2.0	mm



Quantity per Reel: 3000

General Release:	Customer		
	Date		
	Signature		
	Würth Elektronik		
	Date		
Checked	Approved		
	Name	Modification	Date
	JB	Version 1	2010-01-27

This electronic component has been designed and developed for usage in general electronic equipment. Before incorporating this component into any equipment where higher safety and reliability is especially required or if there is the possibility of direct damage or injury to human body, for example in the range of aerospace, aviation, nuclear control, submarine, transportation, (automotive control, train control, ship control), transportation signal, disaster prevention, medical, public information network etc, Würth Elektronik eiSos GmbH must be informed before the design-in stage. In addition, sufficient reliability evaluation checks for safety must be performed on every electronic component which is used in electrical circuits that require high safety and reliability functions or performance.