

## Excellent Integrated System Limited

Stocking Distributor

Click to view price, real time Inventory, Delivery & Lifecycle Information:

[Wurth Electronics Inc](#)  
[824015](#)

For any questions, you can email us directly:

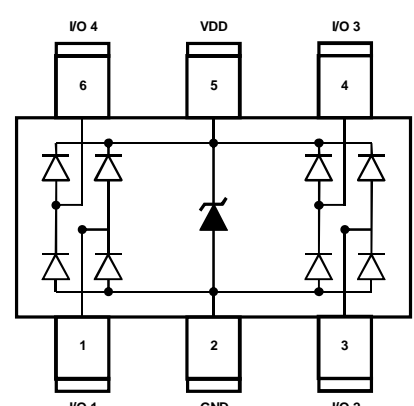
[sales@integrated-circuit.com](mailto:sales@integrated-circuit.com)

## Specification for release

Customer : \_\_\_\_\_  
 Ordercode: **824015**  
 Description: **TVS Diode Array WE-TVS**  
 Package: **SOT23-6L**



DATUM / DATE : 2010-01-27

A Features:	B Schematic and Pin Configuration:
<ul style="list-style-type: none"> <li>ESD Protection for 4 high-speed I/O channels and VDD</li> <li>Provide ESD protection for each channel to IEC 61000-4-2 (ESD) ±15kV (air), ±8kV (contact) IEC 61000-4-4 (EFT) 40A (5/50ns) IEC 61000-4-5 (Lightning) 12A (8/20µs)</li> <li>Below 5V operating voltage: 2.5 - 3.3 - 4.2 - 5.0V</li> <li>Low capacitance: 2pF typical</li> </ul>	
<p><b>Mechanical Characteristics:</b></p> <ul style="list-style-type: none"> <li>JEDEC SOT23-6L Package</li> <li>Molding compound flammability rating: UL94V-0</li> <li>Packaging: Tape &amp; Reel</li> </ul>	

C Absolute Maximum Ratings:	Symbol	Rating	Unit
Peak Pulse Current (tp = 8/20µs)	$I_{PP}$	12	A
Operating Supply Voltage, VDD to GND	$V_{DC}$	6	V
ESD per IEC 61000-4-2 (Air / Contact), I/O to GND	$V_{ESD,I/O}$	20 / 12	kV
ESD per IEC 61000-4-2 (Air / Contact), VDD to GND	$V_{ESD,VDD}$	20 / 12	kV
DC Voltage at any I/O Pin	$V_{IO}$	(GND -0,5) to (VDD +0,5)	V
Operating Temperature	$T_{Op}$	-55 to +125	°C
Storage Temperature	$T_{Sto}$	-20 to +60	°C

D Electrical Characteristics:					
Properties	Test Conditions	Value min	Value typ	Value max	Unit
$V_{RWM}$	Pin 5 to Pin 2			5	V
$V_{BV}$	$I_{BV}=1mA$ , Pin 5 to Pin 2	6.1			V
$I_R$	$V_{Pin5}=5V$ , Pin 5 to Pin 2			5	µA
$V_F$	$I_F = 15mA$ , Pin 2 to Pin 5		0.7	1	V
$V_C$	$I_{PP}=5A$ , tp=8/20µs, I/O to GND		7.8	8.5	V
$V_{Cl,I/O}$	$I_{TLP} = 17A$ , I/O to GND		13		V
$C_{IO}$	$V_{Pin5}=5V$ , $V_{Pin2}=0V$ , $V_{IO}=2.5V$ , f=1MHz, I/O to GND		2	3	pF
$C_X$	$V_{Pin5}=5V$ , $V_{Pin2}=0V$ , $V_{IO}=2.5V$ , f=1MHz, between I/O pins		0.1	0.2	pF

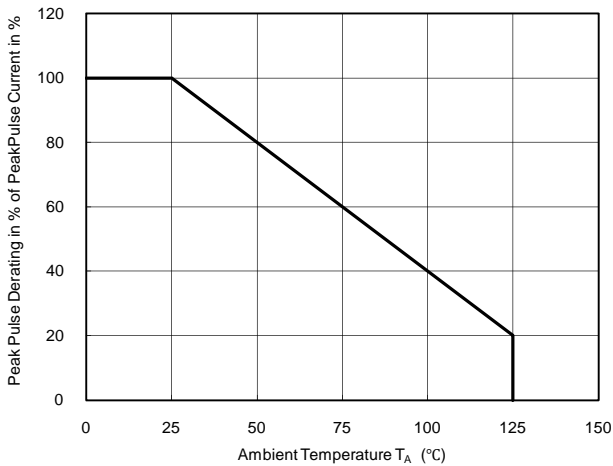
**Specification for release**

Customer : \_\_\_\_\_  
 Ordercode: **824015**  
 Description : **TVS Diode Array WE-TVS**  
 Package: **SOT23-6L**

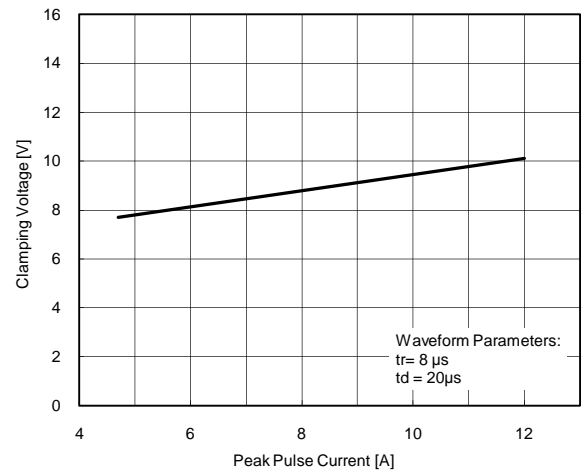


DATUM / DATE : 2010-01-27

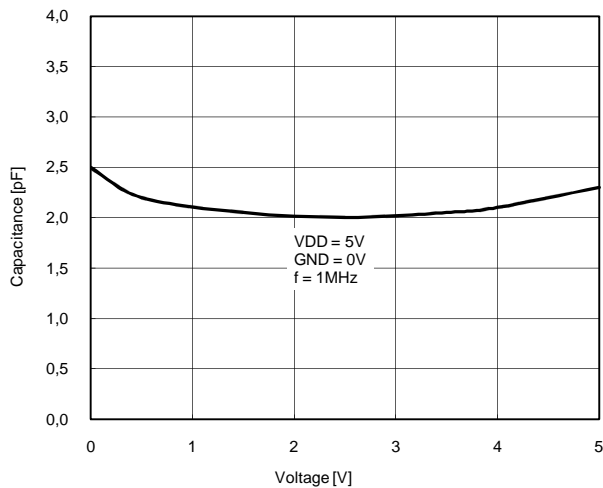
**E Typical Characteristics:**



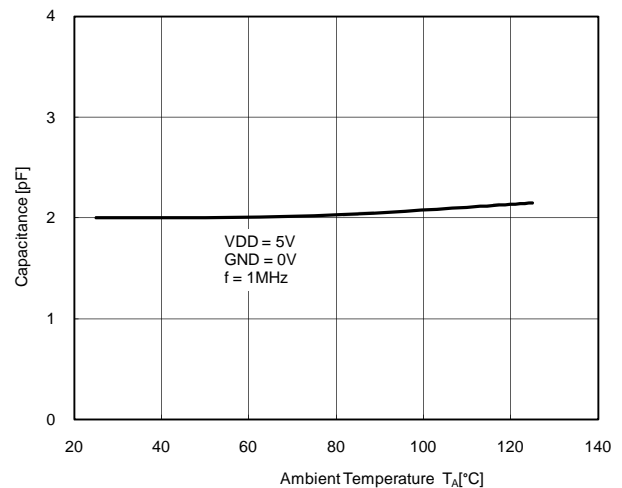
**Power Derating Curve**



**Clamping Voltage vs. Peak Pulse Current**



**Variation of  $C_{IO}$  vs.  $V_{IO}$**



**Variation of  $C_{IO}$  vs. Temperature**

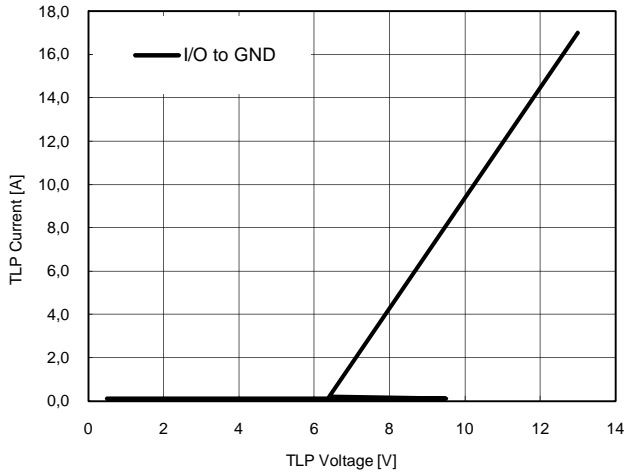
**Specification for release**

Customer : \_\_\_\_\_  
 Ordercode: **824015**  
 Description : **TVS Diode Array WE-TVS**  
 Package: **SOT23-6L**

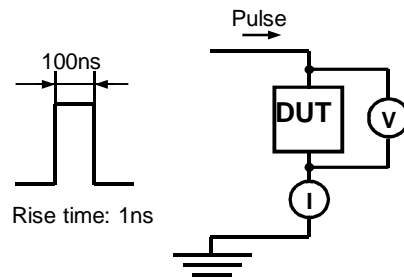


DATUM / DATE : 2010-01-27

**E Typical Characteristic:**

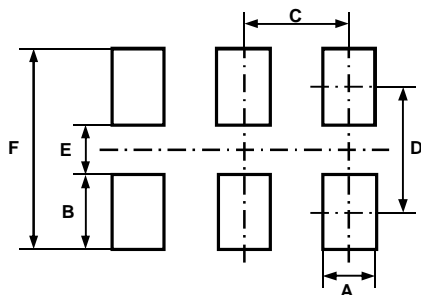


Transmission Line Pulsing (TLP) Measurement



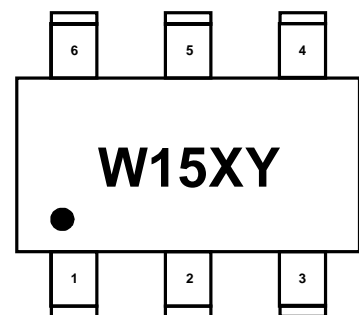
Transmission Line Pulsing System

**F Recommended Land Layout:**



A	0.60	mm
B	1.10	mm
C	0.95	mm
D	2.50	mm
E	1.40	mm
F	3.60	mm

**G Body Marking:**



W15: Device Code  
 X: Date Code  
 Y: Control Code

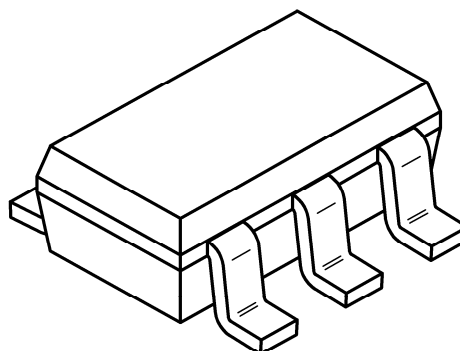
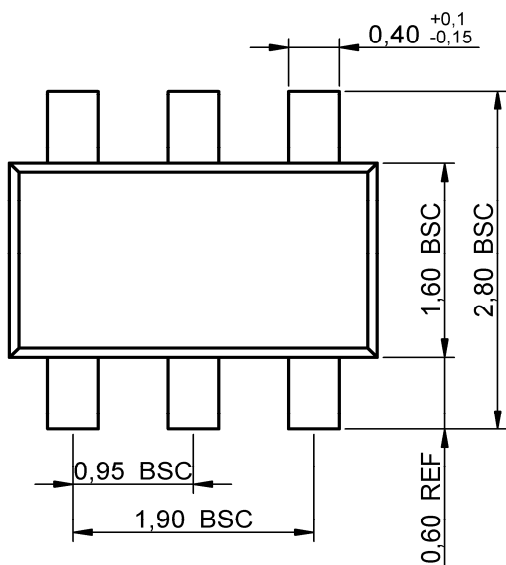
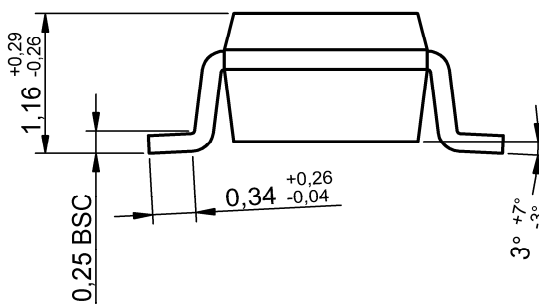
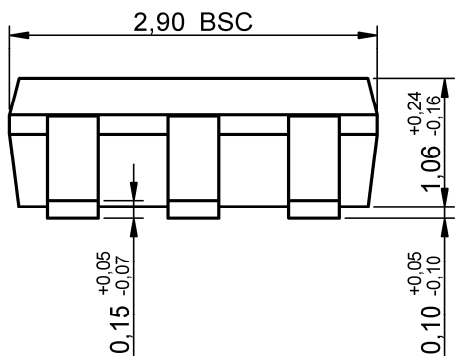
**Specification for release**

Customer : \_\_\_\_\_  
 Ordercode: **824015**  
 Description : **TVS Diode Array WE-TVS**  
 Package: **SOT23-6L**



DATUM / DATE : 2010-01-27

**H Dimensions:**



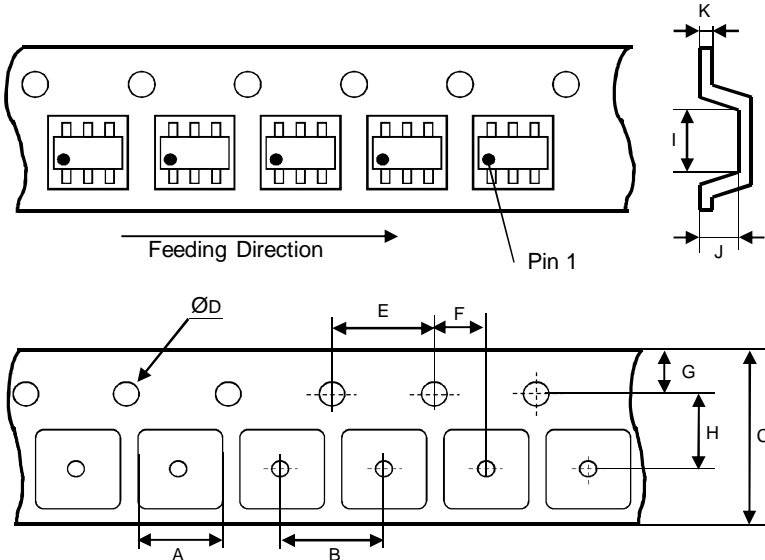
Scale - 10:1

**Specification for release**

Customer : \_\_\_\_\_  
 Ordercode: **824015**  
 Description : **TVS Diode Array WE-TVS**  
 Package: **SOT23-6L**

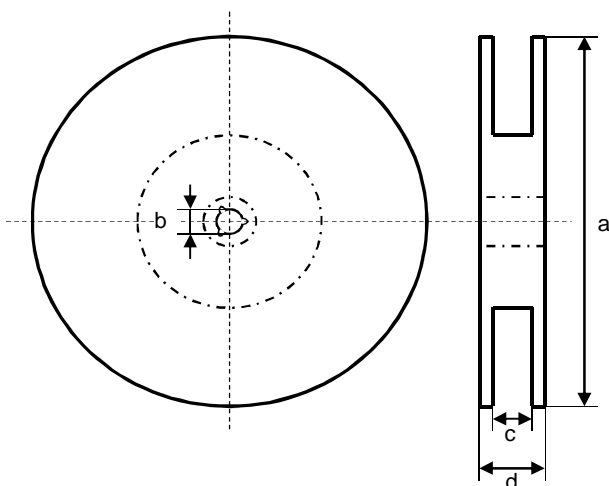


**I Tape:**

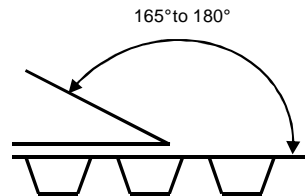


A	<b>4.00 ± 0.10</b>	mm
B	<b>4.00 ± 0.10</b>	mm
C	<b>8.00 ± 0.20</b>	mm
D	<b>1.55 ± 0.05</b>	mm
E	<b>4.00 ± 0.10</b>	mm
F	<b>2.00 ± 0.05</b>	mm
G	<b>1.75 ± 0.10</b>	mm
H	<b>3.50 ± 0.05</b>	mm
I	<b>3.25 ± 0.15</b>	mm
J	<b>1.35 ± 0.15</b>	mm
K	<b>0.25 ± 0.02</b>	mm

**J Reel:**



a	<b>178.0 ± 2.0</b>	mm
b	<b>13.0 ± 0.8</b>	mm
c	<b>10.0 ± 1.5</b>	mm
d	<b>12.5 ± 2.0</b>	mm



Quantity per Reel: 3000

General Release:	Customer		
.....	.....		
Date	Signature		
.....	Würth Elektronik		
.....	.....		
Checked	Approved		
		JB	Version 2 2010-01-27
		JB	Version 1 2008-10-13
		Name	Modification Date

This electronic component has been designed and developed for usage in general electronic equipment. Before incorporating this component into any equipment where higher safety and reliability is especially required or if there is the possibility of direct damage or injury to human body, for example in the range of aerospace, aviation, nuclear control, submarine, transportation, (automotive control, train control, ship control), transportation signal, disaster prevention, medical, public information network etc, Würth Elektronik eiSos GmbH must be informed before the design-in stage. In addition, sufficient reliability evaluation checks for safety must be performed on every electronic component which is used in electrical circuits that require high safety and reliability functions or performance.

**Würth Elektronik eiSos GmbH & Co. KG**