



Excellent Integrated System Limited

Stocking Distributor

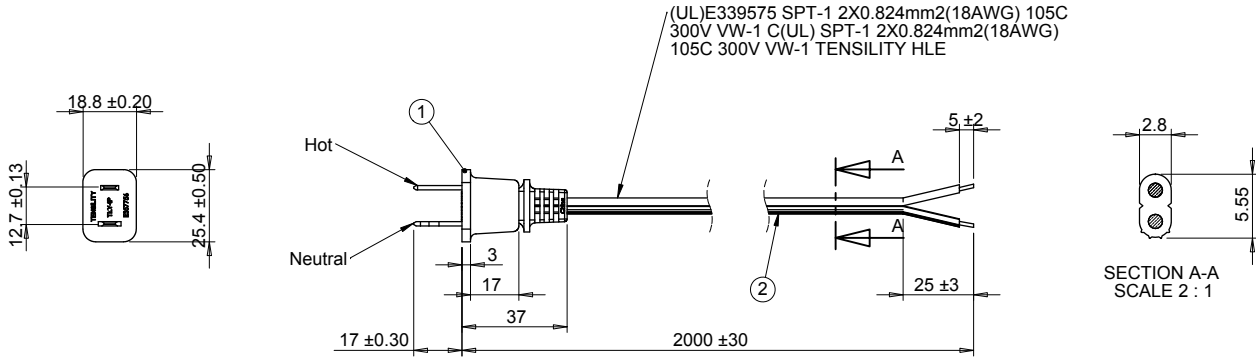
Click to view price, real time Inventory, Delivery & Lifecycle Information:

[Tensility International Corporation](#)
[11-00025](#)

For any questions, you can email us directly:

sales@integrated-circuit.com

ITEM NO.	PART NUMBER	DESCRIPTION	QTY.	NOTES
1	TLY-1P	NEMA 1-15P, polarized	1	white overmold
2	30-00243	2C, 18 AWG, UL SPT-1, 300V, 105°C, 5.55 mm, VW-1, PVC, white	1	terminates to stripped and tinned



Contact	Wire
Neutral	Grooved
Hot	Smooth

Revision	Date	Description	Notes	TENSILITY		
A	12/17/2012	Initial release	Cable rated for 10 A at 125 Vac as is. RoHS, REACH and Dodd-Frank conflict materials compliant Function test: no open, no reversed polarity, no short circuit, no INT	20802 Sockeye Place #130 Bend, OR 97701 USA tel 541.323.3228 fax 541.323.4202 800 877.670.7118 www.tensility.com		
			DIMENSIONS ARE IN MILLIMETERS	SIZE	Part number	
			TOLERANCES: X: ± 0.5 mm X.X: ± 0.3 mm X.XX: ± 0.05 mm	A	11-00025	
			DESCRIPTION: Ac cord, 2000 mm, U.S. NEMA 1-15P plug, TLY-1P to tinned, 18 AWG, SPT-1 wire, 30-00243, white	SCALE:1:2	WEIGHT:	SHEET 1 OF 1

5

4

3

2

1