

Excellent Integrated System Limited

Stocking Distributor

Click to view price, real time Inventory, Delivery & Lifecycle Information:

[Vicor Corporation](#)
[30180](#)

For any questions, you can email us directly:

sales@integrated-circuit.com



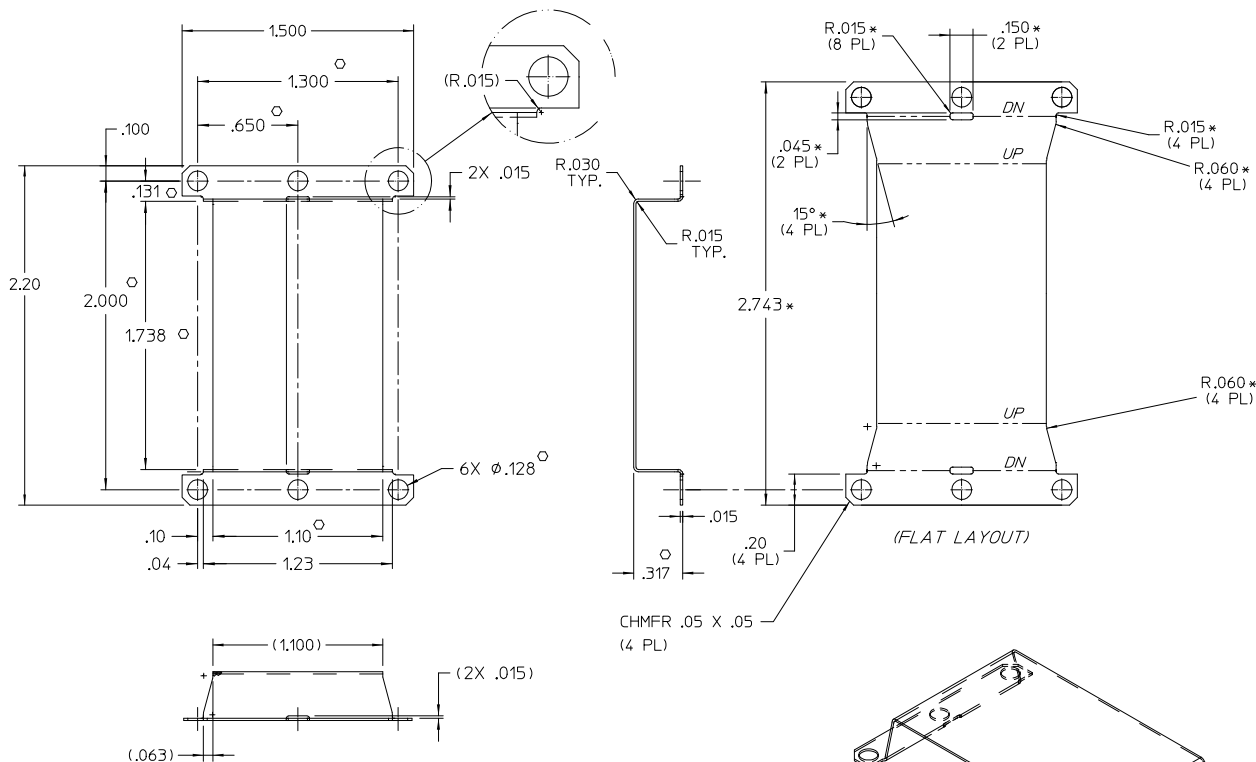
Distributor of Vicor Corporation: Excellent Integrated System Limited

Datasheet of 30180 - MODULE SHIELD MINI THRU

Contact us: sales@integrated-circuit.com Website: www.integrated-circuit.com

VICOR CONFIDENTIAL
 THIS DOCUMENT AND THE DATA DISCLOSED
 HEREIN OR HEREWITH IS NOT TO BE REPRODUCED,
 USED, OR DISCLOSED IN WHOLE OR IN PART
 TO ANYONE WITHOUT PERMISSION OF VICOR CORP.

REV.	DESCRIPTION	DATE	APPROVED
1	RELEASED PER E050312	LEK 10/18/05	SH



NOTES:

1. MATERIAL: ALUMINUM- (.015) THK, 5052
2. REMOVE BURRS & SHARP EDGES
3. ** DIMENSIONS ARE NOT FOR VICOR INSPECTION.
4. O DENOTES CRITICAL CHARACTERISTICS FOR LOT INSPECTION.
5. CLEAR FINISH, RoHS COMPLIANT, CHROMIUM FREE
 PER CST-0001, LATEST REVISION

DRAWN BY	DATE	VICOR		
P.E.IBNI	06/27/05	SHIELD BASE PLATE (MINI)		
UNLESS OTHERWISE SPECIFIED DIMENSIONS ARE IN INCHES TOLERANCES ARE: FRACTIONS DECIMALS ANGLES +1/64 .XX .01 °P				
THIRD ANGLE PROJECTION	SIZE C	FSCM NO. 67131	DWG NO. 30180	REV. 1
DO NOT SCALE DRAWING	SCALE 2X	SHEET 1 OF 1		