

## Excellent Integrated System Limited

Stocking Distributor

Click to view price, real time Inventory, Delivery & Lifecycle Information:

[Vicor Corporation](#)  
[32173](#)

For any questions, you can email us directly:

[sales@integrated-circuit.com](mailto:sales@integrated-circuit.com)

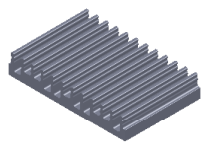
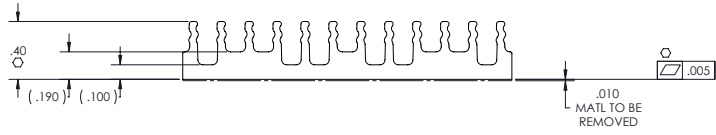
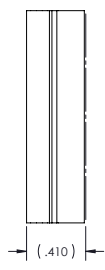
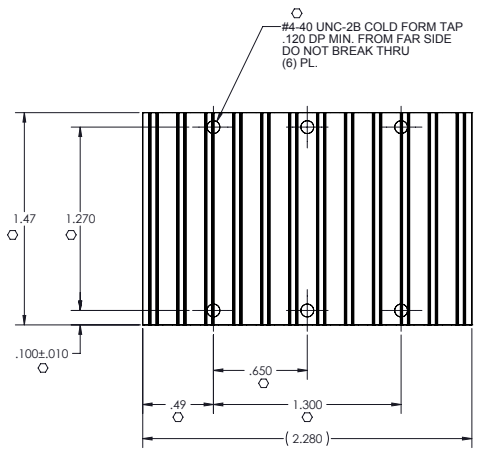


Distributor of Vicor Corporation: Excellent Integrated System Limited  
 Datasheet of 32173 - HEATSINK MICRO 0.4" THRD/TRANS

8 7 6 5 4 3 2 1

VICOR CONFIDENTIAL  
 THIS DOCUMENT AND THE DATA DISCLOSED HEREIN OR  
 HEREIN IS INTENDED TO BE PROPRIETARY AND NOT  
 DISCLOSED IN WHOLE OR IN PART TO ANYONE WITHOUT  
 THE PERMISSION OF VICOR CORP.

REVISIONS			
REV	DESCRIPTION	DATE	APPROVED
1	RELEASED PER E053488	PEI 01/04/06	ECF
2	DOCUMENT REVISED PER E091418	JS 08/19/09	REJH
3	REDRAWN PER E100902	DCS 7/14/10	KUK



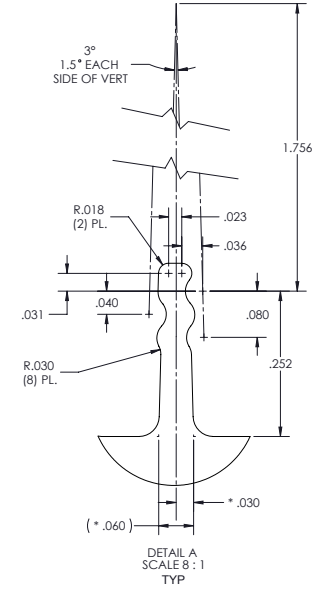
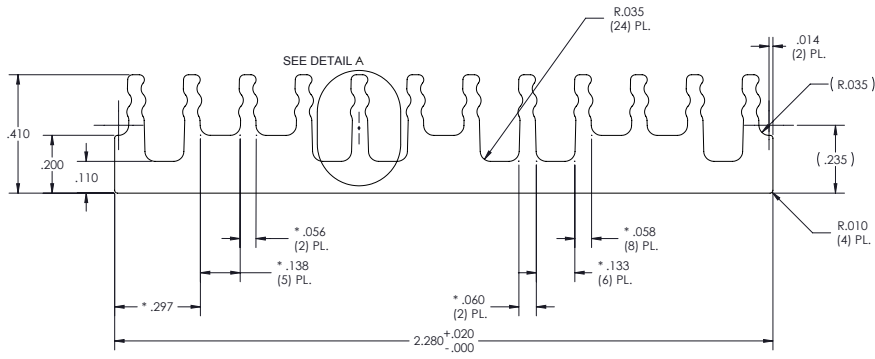
- NOTES:  
 1. MATERIAL: EXTRUSION SEE SHEET 2 OF 2.  
 2. REMOVE ALL BURRS AND SHARP EDGES.  
 3. CLEAR FINISH, RoHS COMPLIANT, CHROMIUM FREE PER CST-0001 LATEST REVISION.  
 4. \*O\* DENOTES CRITICAL CHARACTERISTIC FOR LOT INSPECTION.  
 5. DIMENSIONS ARE INCHES ONLY.

DRAWN		DATE		VICOR		SWD	
P.E. IENI		12/01/05					
MATERIAL		UNLESS OTHERWISE SPECIFIED DIMENSIONS ARE INCHES TOLERANCES ARE: DECIMALS .010" .005" .002" ANGLES .125" .125" .125" X XX (XX) = 90° (1) (2) (3) X XXX (XXX) = 90° (1) (2) (3) (4)					
SEE NOTES		<b>HS CFG "C" X-FLOW .4H      LOW FLOW, THREADED</b>					
FINISH		THIRD ANGLE PROJECTION		SIZE	CAGE CODE	DWG NO	REV
SEE NOTES				C	67131	32173	3
		DO NOT SCALE DRAWING		SCALE 2 : 1		SHEET 1 OF 2	

8 7 6 5 4 3 2 1

VICOR CONFIDENTIAL  
 THIS DOCUMENT AND THE DATA DISCLOSED HEREIN OR  
 HEREIN IS NOT TO BE REPRODUCED, COPIED OR  
 DISSEMINATED IN WHOLE OR IN PART TO ANYONE WITHOUT  
 THE PERMISSION OF VICOR CORP.

REVISIONS			
REV	DESCRIPTION	DATE	APPROVED
	SEE SHEET 1 OF 2		



PROFILE COMMON FOR
30722
32173
30721
30184

- NOTES:
1. MATL: ALUMINUM 6063-T5
  2. \*DENOTES DIMENSIONS TO THEORETICAL SHARP CORNER
  3. ALL DIMENSIONS ARE CRITICAL CHARACTERISTICS.
  4. ROHS COMPLIANT PER CST-0001 LATEST REVISION.
  5. WORKMANSHIP STANDARDS WS-0004, WS-0006 AND WS-0007 APPLY TO THIS PART.
  6. DIMENSIONS ARE INCHES ONLY.

DRAWN	DATE	VICOR		
JSARIPPELLA	06/19/09	SWD		
MATERIAL	UNLESS OTHERWISE SPECIFIED DIMENSIONS ARE INCHES TOLERANCES ARE DECIMALS ANGLES XX (X) = ± 0.01 (X) (X) X AND (X) = ± 0.005 (X) (X)	HS CFG "C" X-FLOW, .4H LOW FLOW, THREADED, EXTRUSION		
FINISH	THIRD ANGLE PROJECTION	SIZE	CASE CODE	DWG NO
SEE NOTES	DO NOT SCALE DRAWING	C	67131	32173
		SCALE 4 : 1		SHEET 2 OF 2