

Excellent Integrated System Limited

Stocking Distributor

Click to view price, real time Inventory, Delivery & Lifecycle Information:

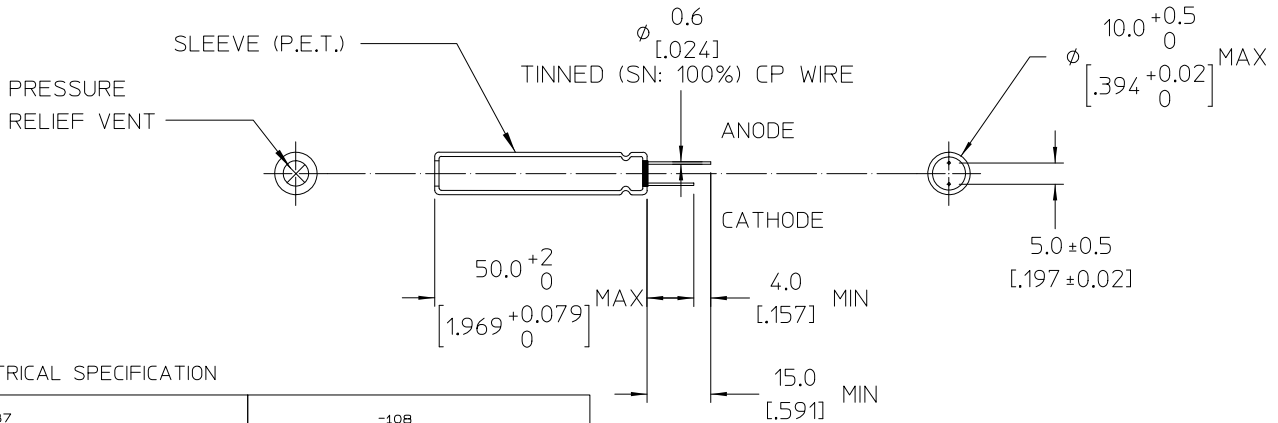
[Vicor Corporation](#)
[34837-108](#)

For any questions, you can email us directly:

sales@integrated-circuit.com

VICOR CONFIDENTIAL
 THIS DOCUMENT AND THE DATA DISCLOSED HEREIN OR HEREWITH IS NOT TO BE REPRODUCED, USED, OR DISCLOSED IN WHOLE OR IN PART TO ANYONE WITHOUT PERMISSION OF VICOR CORP.

REV.	DESCRIPTION	DATE	APPROVED
#1	RELEASED PER E101259b	AR 10/12/10	YZ



ELECTRICAL SPECIFICATION

34837	-108
CAPACITANCE @ 120Hz (+20°C)	1000uF
D.F @ 120 Hz (+20°C)	9.0%
IMPEDANCE @ 100 kHz (+20° C)	0.055 Ω MAX
MAX RIPPLE CURRENT @ 100KHz (105° C)	2270 mA _{rms} MAX
RATED WORKING VOLTAGE	63V
CAPACITANCE TOLERANCE	+20%
OPERATING TEMPERATURE RANGE	-55° C TO +105° C
DC LEAKAGE CURRENT @ 20° C, RATED VOLTAGE	1890 uA MAX
SURGE VOLTAGE	79 VDC

NOTES:

1. ALL DIMENSIONS IN MILLIMETER [INCH]
2. POLARITY TO BE MARKED ON BODY OF CAPACITOR.
3. RoHS COMPLIANT, LEAD FREE PER CST-0001 LATEST REVISION.

DRAWN BY S ASHRAP	DATE 5/15/08	<p>CAP ALEL XXXuF 20% 63V 10X50 RADIAL</p>		
<small>UNLESS OTHERWISE SPECIFIED DIMENSIONS ARE MM [INCH] TOLERANCES ARE: DECIMALS ANGLES °/°</small> XX (XXX) = +0.25 (0.01) XXX (XXXX) = +0.127 (0.005)				
THIRD ANGLE PROJECTION	SIZE B	CAGE CODE 67131	DWG NO 34837-XXX	REV 1
DO NOT SCALE DRAWING	SCALE 1:1	SHEET 1 OF 1		