



Excellent Integrated System Limited

Stocking Distributor

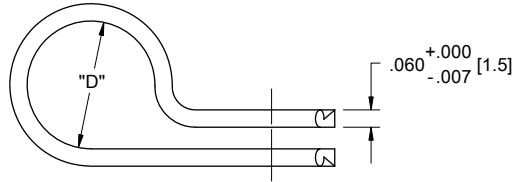
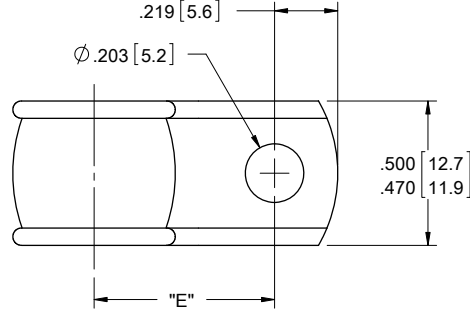
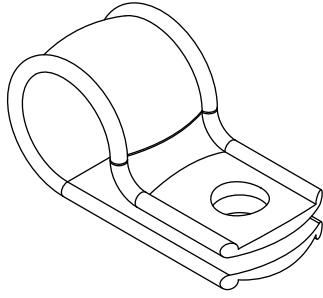
Click to view price, real time Inventory, Delivery & Lifecycle Information:

[Essentra Components \(formerly Richco, Inc.\)](#)

[E2-AM](#)

For any questions, you can email us directly:

sales@integrated-circuit.com



NOTES:

1. MATERIAL: PROPIONATE (RMS-30)
2. ALTERNATE UNITS FOR REFERENCE ONLY.

COLOR: CLEAR PART NO.	COLOR: AMBER PART NO.	HOLDING DIA. "D"	"E" REF.
E2-CL	E2-AM	.125 [3.2]	.328 [8.3]
E3-CL	E3-AM	.188 [4.8]	.391 [9.9]
E4-CL	E4-AM	.250 [6.4]	.422 [10.7]
E5-CL	E5-AM	.313 [7.9]	.453 [11.5]
E6-CL	E6-AM	.375 [9.5]	.484 [12.3]
E7-CL	E7-AM	.438 [11.1]	.531 [13.5]
E8-CL	E8-AM	.500 [12.7]	.563 [14.3]
E9-CL	E9-AM	.563 [14.3]	.594 [15]
E10-CL	E10-AM	.625 [15.9]	.625 [15.9]

REV.			DESCRIPTION		ENGR.	DATE	TITLE: "E"- CLAMPS				DWG IN IN [MM]		FINAL		PRINT TYPE
H	SEE CO 200457 FOR CHANGES		SK	10/22/09			CREATED USING SOLIDWORKS	FILE #: E-CLAMPS	DWN: SK	APP: -					
G	SEE CO 200098 FOR CHANGES		SK	01/07/08			TOLERANCES UNLESS NOTED	SHEET: 1 OF 1	DT: 09/13/07	CHKD: -	PART #		SEE TABLE		CA
F	SEE CO 200010 FOR CHANGES		SK	09/18/07			XX±.020 XXX±.015 FRAC±.1/32 ANG=±3°	RE: RICHCO, INC.			RICHCO, INC. ENG@RICHCO-INC.COM (773) 539-4060				
-	SEE ENGINEERING FOR REV A-E														