



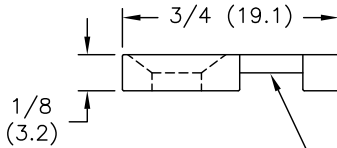
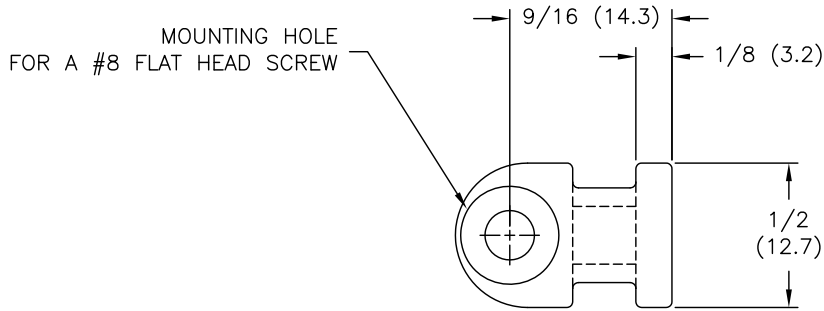
Excellent Integrated System Limited

Stocking Distributor

Click to view price, real time Inventory, Delivery & Lifecycle Information:

[Essentra Components \(formerly Richco, Inc.\)](#)
[FTH-1-01-M](#)

For any questions, you can email us directly:
sales@integrated-circuit.com



NOTES:

- MATERIAL: NYLON 6/6 UL 94 V-2 (RMS-01).
NYLON 6/6 UL 94 V-0 (RMS-19),
AVAILABLE BY SPECIAL ORDER ONLY. TO ORDER
REPLACE "-01" WITH "-19"
- COLOR: NATURAL.
- PACKAGING QUANTITIES ARE REFLECTED AS THE SUFFIX "-LETTER".
EXAMPLE: FTH-1-01-M FOR 1000 PCS.
-C = 100 PCS
-M = 1000 PCS

ACCOMMODATES WIT/WITA-18 THRU -50 TIES

G	ADDED NOTE 3. SEE CO 200661	SK 05.12.11	TITLE:	FLAT TIE HOLDER (FTH-1)			DWG IN IN(MM)	FINAL	PRINT TYPE
F	SEE CO 200570 FOR CHANGES	SK 08.04.10	TOLERANCES UNLESS NOTED	FILE #	FTH-1	DWN: P.B.	APP:		
E	SEE CO 200354 FOR CHANGES	SK 04.14.09	.XX=±.010	MAT'L:	SEE NOTES	DT: 06-27-94	DT:		
D	SEE ECN #1124 FOR CHANGES	SK 01.24.06	.XXX=±.005	RE:	RICHCO, INC.	RICHCO INC. PO BOX 804238, CHICAGO, 60680 (773) 539-4060		PART #	
C	CHANGED FILE NO.	SM 03.18.02	FRAC=±1/64					FTH-1-01	
B	NOTES UPDATED	12.22.99	ANG=±1°					CA	
A	CONVERTED TO ACAD	PB 08.27.94							
REV	DESCRIPTION	ENGR DATE							