



Excellent Integrated System Limited

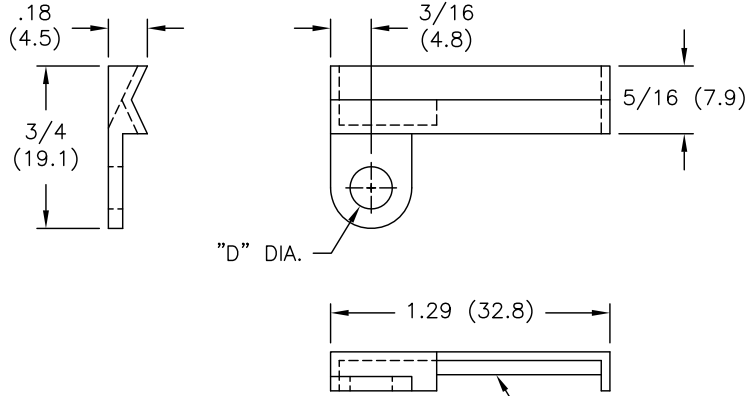
Stocking Distributor

Click to view price, real time Inventory, Delivery & Lifecycle Information:

[Essentra Components \(formerly Richco, Inc.\)](#)
[FTH-11-8-01](#)

For any questions, you can email us directly:
sales@integrated-circuit.com

PART NO.	"D" DIA.
FTH-11-8-01	.170 (4.3)
FTH-11-10-01	.195 (5.0)



NOTES:

1. MATERIAL: NYLON 6/6 (RMS-01),
COLOR: NATURAL.
2. FLAME RETARDANT NYLON (RMS-19),
COLOR: NATURAL,
AVAILABLE BY SPECIAL ORDER ONLY;
TO ORDER USE P/N FTH-11-8-19 OR
FTH-11-10-19.

ACCOMMODATES WIT/WITA-18
THRU -50 TIES

TITLE: FLAT TIE HOLDER			DWG IN IN (MM)	FINAL	PRINT TYPE
D	SEE CO 200570 FOR CHANGES	SK 08.04.10	FILE # FTH-11	DWN: P.B.	APP:
C	SEE ECN #1124 FOR CHANGES	SK 01.24.06	MAT'L: SEE NOTES	DT: 12-21-95	DT:
B	CHANGED FILE NO.	SM 10.25.01	RE: RICHCO, INC.	RICHCO INC. PO BOX 804238, CHICAGO, 60680 (773) 539-4060	
A	DIM. 3/4 AND FR NYLON (RMS-19) ADDED	J.L. 01.07.00	PART # SEE TABLE		
REV	DESCRIPTION	ENGR DATE	ANG=±1'		