



Excellent Integrated System Limited

Stocking Distributor

Click to view price, real time Inventory, Delivery & Lifecycle Information:

[Essentra Components \(formerly Richco, Inc.\)](#)

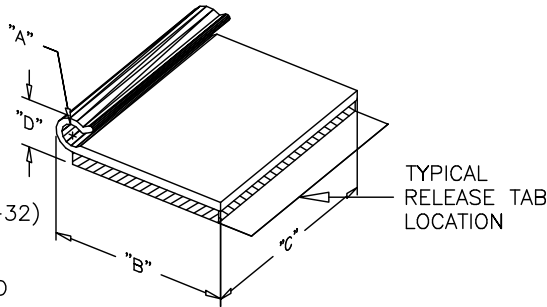
[KKJ-2-RT](#)

For any questions, you can email us directly:

sales@integrated-circuit.com



PART NO.	HOLDING CAPACITY "A"	"B" ±.015 (0.4)	"C" ±.02(0.5)	"D" AT MAX CAPACITY REF.
KKJ-2-RT	1/8 (3.2)	27/32 (21.4)	1 (25.4)	1/4 (6.4)
KKJ-3-RT	3/16 (4.8)	7/8 (22.2)	1-1/4 (31.8)	5/16 (7.9)
KKJ-4-RT	1/4 (6.4)	29/32 (23.0)	1-1/2 (38.1)	13/32 (10.3)
KKJ-5-RT	5/16 (7.9)	1-7/32 (31.0)	1-3/4 (44.5)	7/16 (11.1)
KKJ-6-RT	3/8 (9.5)	1-9/32 (32.5)	2 (50.8)	17/32 (13.5)

AVAILABLE BY SPECIAL ORDER ONLY



NOTES:

1. MATERIAL: RIGID OVC (RMS-04). ALSO AVAILABLE IN CLEAR PVC (RMS-32) BY SPECIAL ORDER.
2. COLOR: GRAY.
3. TAPE: 1/16 (1.6)THICK DOUBLE SIDED ADHESIVE (RMS-15), WHITE LINER
4. CUSTOM LENGTHS AVAILABLE BY SPECIAL ORDER.
5. PARTS ALSO AVAILABLE WITHOUT THE ADHESIVE BY SPECIAL ORDER. TO ORDER REMOVE "-RT" FROM THE PART NO.

G	SEE CO 200604 FOR CHANGES	SK 12.01.10	TITLE: KWIK KLIP, TYPE "J" DWG IN IN(MM)   TOLERANCES UNLESS NOTED .XX=.020 .XXX=.015 FRAC=1/64 ANG=1° FILE # KKJ DWN: S.M. APP: FINAL MAT'L: SEE NOTE DT: 11/20/00 DT: RE: RICHCO, INC. RICHCO INC. PO BOX 804238, CHICAGO, 60680 (773) 539-4060 PART # SEE TABLE PRINT TYPE CA
F	SEE CO 200132 FOR CHANGES	SK 02.25.08	
E	SEE CO 200035 FOR CHANGES	SK 09.26.07	
D	CHANGED NOTE 1 & ADDED NOTE 4	SJ .03.18.02	
C	COMPLETELY RE-DRAWN & CHANGED FILE #	S.M.11.20.00	
B	ADDED NOTES, CORRECTED TAPE THICKNESS TO 1/16"	JK 2.10.00	
A	TABLE CHANGED PER CATALOG VER. 25	J.L. 9.15.99	
REV	DESCRIPTION	ENGR DATE	