

Excellent Integrated System Limited

Stocking Distributor

Click to view price, real time Inventory, Delivery & Lifecycle Information:

[Harwin Inc.](#)
[H2082-01](#)

For any questions, you can email us directly:
sales@integrated-circuit.com

Customer Information Sheet

DRAWING No.: H2082-01

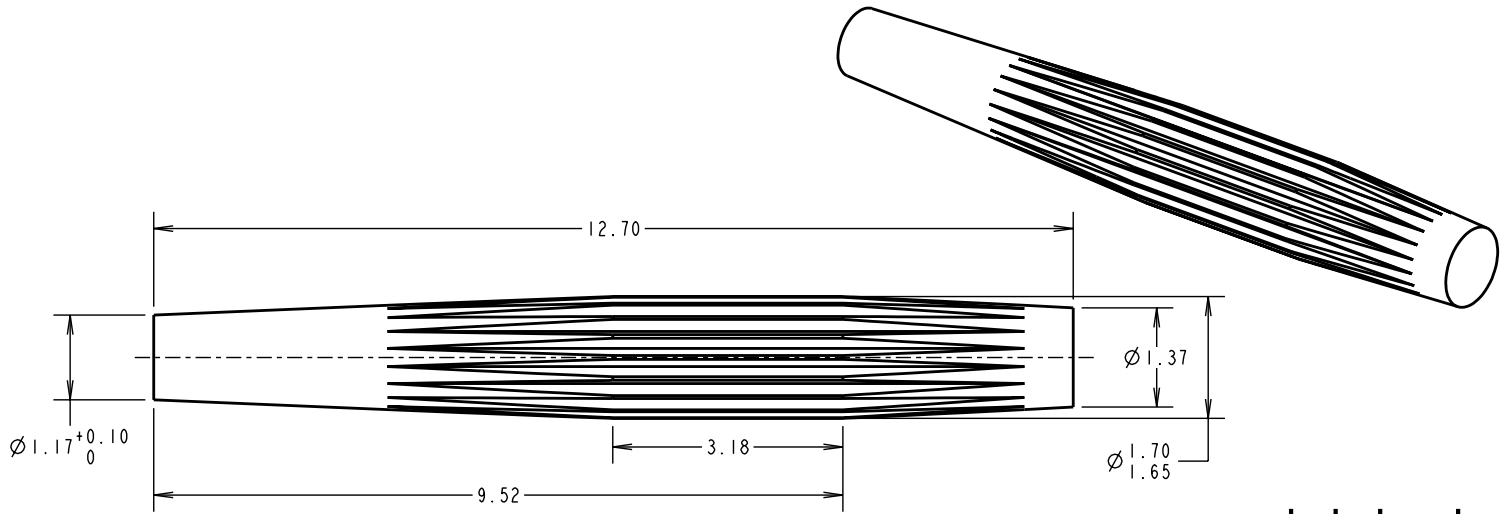
IF IN DOUBT - ASK

©

NOT TO SCALE

THIRD ANGLE PROJECTION

ALL DIMENSIONS IN mm



NOTES:

1. RECOMMENDED PANEL THICKNESS = 3.20mm.
2. RECOMMENDED MOUNTING HOLE SIZE FOR PAPER-BASED PANEL = $\varnothing 1.55$
RECOMMENDED MOUNTING HOLE SIZE FOR EPOXY-GLASS PANEL = $\varnothing 1.60$
3. PUNCH & DIE TOOL PART No. = Z2082-00

CP	16	24.08.09	10441
NAME	ISS.	DATE	C/NOTE
APPROVED: C.PENROSE			
CHECKED: R.ADDE			
DRAWN: PETER COLLINS			
CUSTOMER REF.:			
ASSEMBLY DRG:			

HARWIN

THIS DRAWING AND ANY INFORMATION OR DESCRIPTIVE MATTER SET OUT HEREON ARE CONFIDENTIAL AND COPYRIGHT PROPERTY OF THE HARWIN GROUP AND MUST NOT BE DISCLOSED, LOANED, COPIED OR USED FOR MANUFACTURING, TENDERING OR FOR ANY OTHER PURPOSE WITHOUT THEIR WRITTEN PERMISSION.

TOLERANCES

X. = ± 1 mm
 X.X = ± 0.25 mm
 X.XX = ± 0.10 mm
 X.XXX = ± 0.01 mm
 ANGLES = $\pm 5^\circ$
 UNLESS STATED

MATERIAL:

BRASS CW614N M
 TO BS EN 12164 (CuZn39Pb3)

TITLE:

TERMINAL PIN

HARWIN USA
 TEL: 603 893 5376
 FAX: 603 893 5396
 mis@harwin.com

HARWIN Europe (UK)
 TEL: 023 9231 4545
 FAX: 023 9231 4590
 mis@harwin.co.uk

HARWIN Asia
 TEL: +65 6 779 4909
 FAX: +65 6 779 3868
 mis@harwin.com.sg

FINISH: 100% TIN OVER NICKEL

S/AREA: mm²

DRAWING NUMBER:

H2082-01

SHT
 2 OF
 2