



## Excellent Integrated System Limited

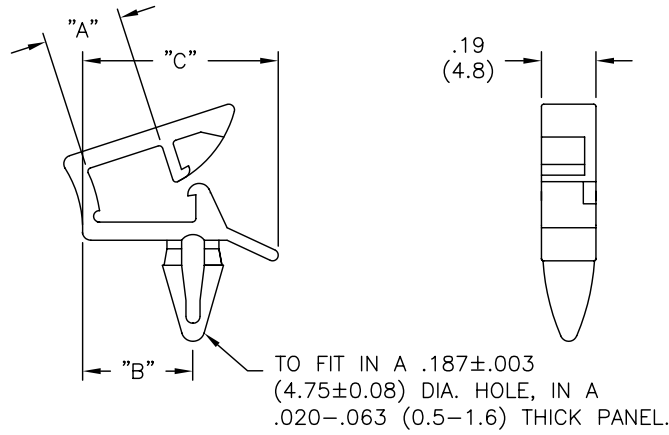
Stocking Distributor

Click to view price, real time Inventory, Delivery & Lifecycle Information:

[Essentra Components \(formerly Richco, Inc.\)](#)  
[LWS-SE2-1-01](#)

For any questions, you can email us directly:  
[sales@integrated-circuit.com](mailto:sales@integrated-circuit.com)

PART NO.	"A"	"B"	"C"
LWS-SE2-1-01	.27 (6.9)	.38 (9.7)	.67 (17.0)
LWS-SE2-2-01	.40 (10.2)	.53 (13.5)	.82 (20.8)



NOTES:

- MATERIAL: NYLON 6/6 (RMS-01).  
FLAME RETARDANT NYLON (RMS-19)  
AVAILABLE BY SPECIAL ORDER.
- COLOR: NATURAL.

TITLE: LOCKING WIRE SADDLE SIDE ENTRY (UK)			DWG IN IN (MM)		FINAL	
TOLERANCES UNLESS NOTED			FILE # LWS-SE2	DWN: P.B.	APP:	
.XX=±.010			MAT'L: SEE NOTES		DT: 08-25-94 DT:	
.XXX=±.005			RE: RICHCO, INC.		PART # SEE TABLE	
FRAC=±1/64			RICHCO INC.		PRINT TYPE CA	
ANG=±1°			PO BOX 804238, CHICAGO, 60680			
			(773) 539-4060			
C	ADDED -01 TO PART # & CHANGED NOTE 1	SJ 03.27.02				
B	CHANGED FILE NO. AND ADDED TOL TO HOLE DIA.	SM 03.20.02				
A	.187 DIA. HOLE WAS .189	PB 102694				
REV	DESCRIPTION	ENGR DATE				